

★
T.O. 31R2-4-101-4

TECHNICAL MANUAL
ILLUSTRATED PARTS BREAKDOWN

RADIO RECEIVER
MODEL SP-600-JX-21

(HAMMARLUND)

CHANGE
NOTICE

**LATEST CHANGED PAGES SUPERSEDE
THE SAME PAGES OF PREVIOUS DATE**

Insert changed pages into basic
publication. Destroy superseded pages.

PUBLISHED UNDER AUTHORITY OF THE SECRETARY OF THE AIR FORCE

★
15 JANUARY 1956
CHANGED 1 FEBRUARY 1961

Reproduction for nonmilitary use of the information or illustrations contained in this publication is not permitted without specific approval of the issuing service (BuAer or USAF). The policy for use of Classified Publications is established for the Air Force in AFR 205-1 and for the Navy in Navy Regulations, Article 1509.

INSERT LATEST CHANGED PAGES. DESTROY SUPERSEDED PAGES.

LIST OF EFFECTIVE PAGES

NOTE: The portion of the text affected by the changes is indicated by a vertical line in the outer margins of the page.

TOTAL NUMBER OF PAGES IN THIS PUBLICATION IS 78 , CONSISTING OF THE FOLLOWING:

Page No.	Issue
*Title	1 February 1961
*A	1 February 1961
*i	1 February 1961
ii	Original
1	Original
*2	1 February 1961
*2A thru 2C	1 February 1961
*2D, Blank	1 February 1961
*3	1 February 1961
4 thru 54	Original
*55 thru 69	1 February 1961
*70, Blank	1 February 1961

* The asterisk indicates pages changed, added, or deleted by the current change.

ADDITIONAL COPIES OF THIS PUBLICATION MAY BE OBTAINED AS FOLLOWS:

USAF ACTIVITIES.—In accordance with T.O. 00-5-2.

USAF

NAVY ACTIVITIES.—Submit request to nearest supply point listed below, using form NavAer 140; NASD, Philadelphia, Pa.; NAS, Alameda, Calif.; NAS, Jacksonville, Fla.; NAS, Norfolk, Va.; NAS, San Diego, Calif.; NAS, Seattle, Wash.; ASD, NSC, Guam.

For listing of available material and details of distribution see Naval Aeronautics Publications Index NavAer 00-500.

TABLE OF CONTENTS

Section	Page
I INTRODUCTION	1
II GROUP ASSEMBLY PARTS LIST	5
Radio Receiver SP-600-JX-21	4
Chassis and Panel Assembly	6
Panel Assembly	9
Frequency Control Unit	11
Filter Assembly	13
Chassis and Tuning Unit Assembly	15
Tuning Unit Assembly	17
Radio Frequency Wiring Assembly	20
Mixer Plate Coil Assembly	22
Radio Frequency Input Assembly, 0.54 - 1.35 Mc	22
Radio Frequency Transformer Assembly, 0.54 - 1.35 Mc	23
High Frequency Oscillator Assembly, 0.54 - 1.35 Mc	23
Radio Frequency Input Assembly, 1.35 - 3.45 Mc	24
Radio Frequency Transformer Assembly, 1.35 - 3.45 Mc	24
High Frequency Oscillator Assembly, 1.35 - 3.45 Mc	25
Radio Frequency Input Assembly, 3.45 - 7.4 Mc	25
Radio Frequency Transformer Assembly, 3.45 - 7.4 Mc	26
High Frequency Oscillator Assembly, 3.45 - 7.4 Mc	26
Radio Frequency Input Assembly, 7.4 - 14.8 Mc	28
Radio Frequency Transformer Assembly, 7.4 - 14.8 Mc	28
High Frequency Oscillator Assembly, 7.4 - 14.8 Mc	29
Radio Frequency Input Assembly, 14.8 - 29.7 Mc	29
Radio Frequency Transformer Assembly, 14.8 - 29.7 Mc	30
High Frequency Oscillator Assembly, 14.8 - 29.7 Mc	30
Radio Frequency Input Assembly, 29.7 - 54.0 Mc	31
Radio Frequency Transformer Assembly, 29.7 - 54.0 Mc	32
High Frequency Oscillator Assembly, 29.7 - 54.0 Mc	32
Gear Train Assembly	34
Mounting Disc and Shaft Assembly	36
Tuning Unit and Shield Assembly	37
Chassis Assembly	39
Selectivity Switch Assembly	45
Terminal Assembly	46
Terminal Assembly	46
Oscillator Terminal Board Assembly	47
Terminal Assembly	47
Terminal Board Assembly	48
Beat Frequency Oscillator Assembly	49
Crystal Filter Assembly	50
Intermediate Frequency Transformer Assembly	52
Intermediate Frequency Transformer Assembly	54
III NUMERICAL INDEX	55
IV REFERENCE DESIGNATION INDEX	64

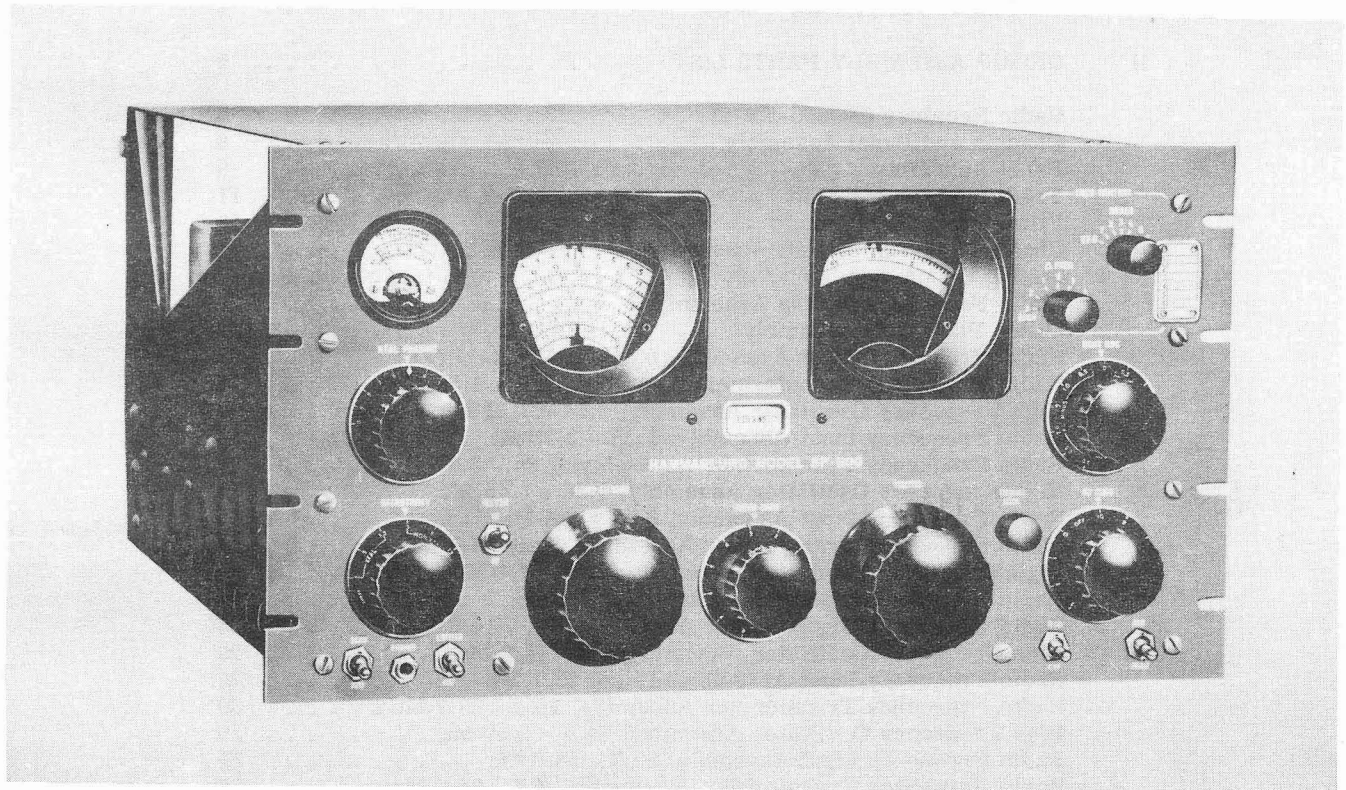


Figure 1. Radio Receiver, Model SP-600-JX-21

SECTION I INTRODUCTION

1-1. GENERAL.

1-2. This Illustrated Parts Breakdown illustrates, lists and describes all of the assemblies and detail parts for the Radio Receiver, Model SP-600-JX-21 designed and manufactured by the Hammarlund manufacturing Company, Inc., New York, New York.

1-3. GROUP ASSEMBLY PARTS LIST.

1-4. **GENERAL.** The Group Assembly Parts List (Section II), provides illustrations of the equipment with an accompanying parts list. Index numbers on the parts list correspond to those on the illustration. Any part can be identified if its part number, description, or physical configuration is known.

1-5. **PURPOSE.** The Group Assembly Parts List is not to be used as the authority for the procedure of assembly or disassembly of the equipment. It is intended only for use in requisitioning, storing, issuing, and identifying parts. Overhaul or repair should be done by authorized personnel using applicable handbooks.

1-6. **PART NUMBER COLUMN.** This column lists the contractor's (Hammarlund Manufacturing) part numbers, except where government standard (AN, JAN, MS, NAS, NAF, USAF), or vendor's part numbers are used. The term "No Number" is used in the part number column to list parts procurable from a specific vendor when the part has no assigned part number or when the assigned number does not fully describe the part. In such cases, the information necessary for procurement purposes is given in the "DESCRIPTION" column. An asterisk (*) before the term "No Number" in the part number column indicates parts or assemblies which cannot be procured. Items procurable from normal commercial sources are listed as "COMM" and are also described in the "DESCRIPTION" column.

1-7. **DESCRIPTION COLUMN.** The indentation arrangement of the "DESCRIPTION" column under the numbers "1 through 7" is used to show the relationship of a part or assembly to another part or assembly. For example, a part or assembly listed under indent "3" will be a component of the assembly listed above it under indent "2".

1-8. **ATTACHING PARTS.** These are items used to attach parts or assemblies to each other. These attaching parts are listed immediately following the assembly or part that they attach. The symbol "----*" is used to denote the end of the attaching parts and

the continuation of the listing. The indentation of attaching parts is the same as the parts that they attach.

1-9. **UNITS PER ASSY COLUMN.** The number appearing in this column is the total quantity of the listed part required in its immediate assembly. The letters "Ref" indicate that the listing of the part is repeated here and that reference should be made to its previous listing in the catalog. The letters "AR" indicate parts to be used as required. The letters "NP" indicate parts or assemblies which are non-procurable.

1-10. **USABLE ON CODE COLUMN.** Part variations within two or more similar models or assemblies are indicated by an alphabetical code of capital letters in the "USABLE ON CODE" column. When the "USABLE ON CODE" column is blank the part is used on all models covered by this breakdown.

1-11. VENDORS' CODE.

1-12. When a part number listed is neither a contractor nor a government standard part number, a code which denotes the vendor from whom the part can be procured is shown in parentheses following the description.

VENDORS' CODES

CODE	NAME AND ADDRESS
AB	Allen-Bradley Co. New York, N.Y.
AEV	Aerovox Corp. New Bedford, Mass.
AHH	Arrow-Hart and Hegeman Electric Co. Hartford, Conn.
ALN	The Allen Mfg. Co. Hartford, Conn.
ALP	Alden Products Co. Brockton, Mass.
BBR	Birnbach Radio Co. New York, N.Y.
BDN	Belden Mfg. Co. Chicago, Ill.
BEI	Beede Electrical Instrument Co. Penacook, N.H.

VENDORS' CODES (cont)		VENDORS' CODES (cont)	
CODE	NAME AND ADDRESS	CODE	NAME AND ADDRESS
BLY	Biley Electric Co. New York, N. Y.	NL	The National Lock Washer Co. Newark, N. J.
BUS	Bussman Mfg. Co. New York, N. Y.	OAK	Oak Mfg. Co. Chicago, Ill.
CAF	Canfield Rubber Co. New York, N. Y.	RAMT	Radio Material Corp. Chicago, Ill.
CGT	Cambridge Thermionic Corp. Cambridge, Mass.	SH	Shakeproof, Inc. Elgin, Ill.
CHL	Henry L. Crowley and Co., Inc. West Orange, N. J.	SWLC	Walter L. Schott New York, N. Y.
CIN	Cinch Mfg. Corp. New York, N. Y.	TIN	Tinnerman Products, Inc. Cleveland, Ohio
CUT	Cutler-Hammer, Inc. New York, N. Y.	TTE	Times Facsimile Corp. New York, N. Y.
EBY	Hugh H. Eby, Inc. Philadelphia, Pa.	WS	Weston Electrical Instrument Corp. New York, N. Y.
ELII	Electrical Industries, Inc. Newark, N. J.	ZE	Zierick Mfg. Corp. New Rochelle, N. Y.
ELMP	Elemenco Products Co. New York, N. Y.		
FNK	A. W. Franklin Mfg. Corp. Long Island City, N. Y.		
GE	General Electric Co. New York, N. Y.		
GVP	Groov-Pin Corp. Ridgefield, N. J.		
HEMA	Heyman Mfg. Co. Kenilworth, N. J.		
ICA	Insuline Corp. of America Long Island City, N. Y.		
IRC	International Resistance Co. Philadelphia, Pa.		
JFE	Jeffers Electronics Co. St. Mary's, Pa.		
JNS	Howard B. Jones Div Cinch Mfg. Co. Chicago, Ill.		
MAL	P. R. Mallory and Co., Inc. New York, N. Y.		
MLR	J. W. Miller Co. Los Angeles, Calif.		
MODE	Model Eng. and Mfg. Co. Huntington, Ind.		

1-13. NUMERICAL INDEX.

1-14. The Numerical Index, Section III, lists all the part numbers which appear in the Group Assembly Parts List. The information is listed under the column headings indicated in the following paragraphs.

1-15. MFR PART NO. The part numbers are arranged in an alpha-numerical filing system in which the part-number arrangement starts at the left-hand column of the number and continues to the right, one column at a time, until the arrangement is completed.

1-16. The order of precedence in beginning the part-number arrangement at the extreme left-hand (first) position of the part number is as follows:

- a. Letters A through Z
- b. Numerals 0 through 9

1-17. The order of precedence in the part-number arrangement of the second and succeeding positions of the part number, from left to right, is as follows:

- a. Space (blank column)
- b. Diagonal (slant) /
- c. Point (period) .
- d. Dash (hyphen) -
- e. Letters A through Z
- f. Numerals 0 through 9

1-18. MFR FEDERAL CODE. The five-digit code in this column is the Manufacturer's Federal Code, as obtained from the Federal Cataloging Handbook, H4-1, for the manufacturer of the item listed by the part

number in line with the code. This code may indicate either a Government agency, a manufacturer or vendor, or a prime contractor. The following is a listing of the codes used, together with the current names and addresses of the manufacturers.

Mfr Federal Code	Mfr Name and Address	Mfr Federal Code	Mfr Name and Address
		71400	Bussmann Fuse Division McGraw-Edison Co St. Louis, Mo.
00656	Aerovox Corp New Bedford, Mass.	71753	Aerovox Corp Crowley Division West Orange, N. J.
01009	Alden Products Co Brockton, Mass.	71785	Cinch Mfg Corp Chicago, Ill.
01121	Allen-Bradley Co Milwaukee, Wis.	72488	Franklin, A. W. , Mfg Corp Long Island City, N. Y.
04009	Arrow Hart & Hegeman Electric Co Hartford, Conn.	72825	Eby, Hugh H. , Inc Philadelphia, Pa.
04062	Elmenco Products Co New York, N. Y.	73957	Groov-Pin Corp Ridgefield, N. J.
06555	Beede Electrical Instrument Co Penacock, N. H.	74887	Insuline Corp of America Acquired by Electronics Division Van Norman Industries, Inc Manchester, N. H.
15605	Cutler Hammer, Inc Milwaukee, Wis.	74956	Jeffers Electronics Corp St. Marys, Pa.
20093	Electrical Industries, Inc Acquired by North American Phillips Co, Inc New York, N. Y.	75042	International Resistance Co Philadelphia, Pa.
24455	General Electric Co Lamp Division Consumer Products Corp Nela Park (Cleveland), Ohio	75173	Jones, Howard B. , Division Cinch Mfg Corp Chicago, Ill.
28520	Heyman Mfg Co Kenilworth, N. J.	76493	Miller, J. W. , Co Los Angeles, Calif.
37942	Mallory, P. R. , & Co, Inc Indianapolis, Ind.	76665	National Lock Washer Co Newark, N. J.
65092	Weston Instruments Division Daystrom, Inc Newark, N. J.	76854	Oak Mfg Co Chicago, Ill.
70276	Allen Mfg Co Hartford Conn.	78189	Shakeproof Division Illinois Tool Works Elgin, Ill.
70903	Belden Mfg Co Chicago, Ill.	78553	Tinnerman Products, Inc Cleveland, Ohio
71002	Birnbach Radio Co New York, N. Y.	79963	Zierick Mfg Corp New Rochelle, N. Y.
71034	Bliley Electric Co, Inc Erie, Pa.	80058	Communication Electronic Nomenclature Subpanel Washington, D. C.
71279	Cambridge Thermionic Corp Cambridge, Mass.	80063	Signal Corps
71296	Canfield Rubber Co Bridgeport, Conn.	80112	Schott, Walter L. , Co
		80130	Times Facsimile Corp New York, N. Y.

Mfr Federal Code	Mfr Name and Address
80583	Hammarlund Co, Inc New York, N. Y.
81349	Military Specifications
81350	Joint Army-Navy Specifications
82142	Jeffers Electronics Division Speer Carbon Co Du Bois, Pa.
83777	Model Engineering and Mfg, Inc Huntington, Ind.
88044	Aeronautical Standards Group Departments of Navy and Air Force Washington, D. C.
88287	Weston Instruments Division Daystrom, Inc New York, N. Y.
91418	Radio Materials Co Chicago, Ill

1-19. **FEDERAL STOCK NO.** This column lists the current Federal stock number for each of the various items, wherever available. Where a stock number is not listed, reference should be made to the current USAF Master Cross Index, S-00-1-1, or to the relevant Federal Stock List.

1-20. The Federal stock number is an eleven-digit number, arranged in groups of four, three, and four digits, respectively, with the groups separated by a dash. The first four digits are the Federal Supply Classification (FSC) code number assigned to the item. This class code indicates the type of item. For example: 5305 is the class code for screws, 5307 for studs, and 5315 for nails, keys, and pins. The remaining seven digits of the stock number are a sequentially assigned serial number which fixes the identity of a single item of supply. These seven digits are referred to as the Federal Item Identification number (FIIN). There is no relationship between one serial number and another. The suffix letter "A" or "B" is sometimes appended to the FIIN. This letter indicates a variation within the class. For instance, the letter "A" used with a Federal stock number of the 6220 class indicates an aeronautical item, whereas the letter "B" indicates a nonaeronautical item such as an indicator light or lampholder.

1-21. **FIG. AND INDEX NO.** The figure and index No. column lists opposite each part number the figure and index number of the illustration, and the listing of the part in the Group Assembly Parts List. The listing for Government standard parts is for the first occurrence only; each location is listed for all other parts.

1-22. **QTY PER ART.** The quantity per article column lists opposite each part number the total quantity of such parts required per complete equipment.

1-23. **SMR CODE.** This column lists the SMR code for each item, wherever available. This code, which is assigned by Department representatives is a combination of Source code and Expendability-Repair-Cost code. Source codes are completely described in T.O. 00-25-195. The definitions for the various Source codes are given in paragraphs 1-25 through 1-47; information on Expendability-Repair-Cost codes is given in paragraph 1-48.

1-24. **SOURCE CODES.**

1-25. **CODE "P" - PARTS UNDER INVENTORY STOCK CONTROL.** Code "P" identifies parts which may be requisitioned and installed by any level of maintenance consistent with the command's authorized scope of maintenance. Code "P" is applied to parts the usage of which is anticipated or known.

1-26. Code "PD" identifies parts which may be requisitioned and installed by Air Force activities authorized depot-level maintenance only. Restricted service-manufacture of "PD" coded parts is considered practicable, but may be accomplished only after confirmation of nonavailability from supply sources.

1-27. Code "P1" identifies parts which may be requisitioned and installed by any maintenance level consistent with the command's authorized scope of maintenance. This code is applied to parts which are impracticable to service-manufacture.

1-28. Code "P1D" identifies parts which may be requisitioned and installed by Air Force activities authorized depot-level maintenance only. This code is applied to parts which are impracticable to service-manufacture.

1-29. Code "P2" identifies insurance-type spare parts which can be installed by any Air Force activity consistent with the command's authorized scope of maintenance. This code is applied to parts which are basically structural, and for which no usage is anticipated or known; which require special tools, templates, and/or jigs; and which are very difficult, impracticable, or uneconomical to manufacture by Air Force activities. These items are not subject to periodic replacement or wearout, but may require infrequent replacement as a result of accidents or other unexpected occurrences. Delayed procurement items, as defined in AMCR 65-41, are included under this code.

1-30. Code "P2D" identifies insurance-type parts which may be installed by Air Force activities which are authorized depot-level maintenance only. This code is applied to parts as described under Code "P2" and to delayed procurement items.

1-31. **CODE "M" - MANUFACTURE, PARTS NOT PROCURED.** Code "M" identifies parts the manufacture and installation of which are within the capabilities of field-maintenance activities, and to which all of the following conditions apply:

a. Procurement is not justified because of low usage or peculiar storage and installation factors. Needs are to be met by local manufacture only, as required.

b. Manufacture does not require tools, equipment, or skills not normally authorized at field-maintenance level.

c. Manufacture does not require test equipment not normally authorized at field-maintenance level.

d. Manufacture does not require material not normally available in Air Force inventory.

1-32. Code "M1" identifies parts which can be manufactured at activities authorized depot-level maintenance only, and to which all of the following conditions apply:

a. Procurement is not justified because of low usage or peculiar storage and installation factors. The needs of base activities are to be met by requisitioning from the geographical AMA for nonweapon systems aircraft-missile, or from the weapon Support Manager (WSM) for weapon systems designated in AFM 67-1, Volume XX.

b. Manufacture is beyond the capabilities of field-maintenance activities as outlined above.

c. Manufacture does require tools or equipment normally authorized at all AMA's.

1-33. CODE "A" - ASSEMBLE, ASSEMBLY NOT PROCURED. Code "A" identifies items capable of being assembled at any level of maintenance, and is applied to assemblies of two or more parts, at least one of which is purchased and carries an individual part number and description.

1-34. Code "A1" identifies assemblies which can be assembled at Air Force activities authorized depot-level maintenance only, and is applied to assemblies described under "A" code.

1-35. CODE "X" - PARTS CONSIDERED IMPRACTICABLE FOR SERVICE-MANUFACTURE OR PROCUREMENT AND FOR WHICH NO USAGE IS ANTICIPATED. Code "X" is applied to main structural members or similar parts, which, if required, would suggest extensive repair. The need for a part or parts coded "X" (wing spars, center section structure, etc) should normally result in a recommendation to retire the article from service.

1-36. Code "X1" identifies parts applicable at any level of maintenance consistent with the command's authorized scope of maintenance, and for which procurement of the next larger assembly so coded "P1" is normally justified; for example, an integral detail part such as a welded segment inseparable from its assembly; a part machined in a matched set; or a part of an assembly which, if required, would suggest extensive reconditioning of the assembly. In some cases, "X1" may be used to indicate an integral detail part of an assembly for which there is no anticipated usage, and as an assembly was coded "M" or "M1", to be manufactured as a matched set, welded assembly, etc.

1-37. Code "X1D" identifies parts described under the "X1" code but which are applicable to Air Force activities authorized depot-level maintenance only.

1-38. Code "X2" identifies parts applicable at any level of maintenance consistent with the command's authorized scope of maintenance, the usage of which is not anticipated, and which are impracticable for service-manufacture. This type of item will not be stocked. Such parts shall be obtained from reclamation or requisitioned through normal supply channels, with supporting justification for one-time procurement and immediate issue. Repeated requests shall justify a change to a "P1" or "P2" code, as applicable, if it is considered economical to procure and stock such parts.

1-39. Code "X2D" identifies parts described under the "X2" code but which are applicable to Air Force activities authorized depot-level maintenance only. Repeated requests for such parts shall justify a change to a "P1D" or "P2D" code, as applicable, if it is considered economical and feasible to procure and stock such parts.

1-40. CODE "U" - PARTS NOT PROCURED, MANUFACTURED, OR STOCKED. Code "U" is applied to installation drawings, diagrams, instruction sheets, field-service drawing numbers, and parts not otherwise of supply significance, including obsolete parts, which cannot be procured or service-manufactured.

1-41. CODE "C" - CURE-DATED COMPONENTS REPAIR KIT. Code "C" is applied to kits containing replacements for parts subject to deterioration due to aging or exposure to aromatic fuels, such as rubber gaskets, seals, and "O" rings. C-kit is available to maintenance activities authorized to replace expired cure-dated parts as necessary at overhaul, minor repair, or other times as required by pertinent directives. This kit may include noncure-dated gaskets, packings, etc, necessary for reassembly after technical order compliance or repair.

1-42. CODE "D" - MAJOR OVERHAUL REPAIR KIT. Code "D" is applied to kits which are available only to maintenance activities authorized to perform depot or major overhaul. These kits do not contain cure-dated parts.

1-43. CODE "F" - MINOR OR FIELD REPAIR KIT. Code "F" is applied to kits which are available to maintenance activities authorized to perform minor or field repair, including overhaul activities in support of field activities. These kits do not contain cure-dated parts.

1-44. CODE "KC" - COMPONENT OF C-KIT. Code "KC" is applied to items which are components of a C-kit, also, stocked separately in the appropriate class if followed by the letter "P".

1-45. CODE "KD" - COMPONENT OF D-KIT. Code "KD" is applied to items which are components of a D-kit, also, stocked separately in the appropriate class if followed by the letter "P".

1-46. CODE "KF" - COMPONENT OF F-KIT. Code "KF" is applied to items which are components of an F-kit, also, stocked separately in the appropriate class if followed by the letter "P".

1-47. CODE "KFD" — COMPONENT OF BOTH F-KIT AND D-KIT. Code "KFD" is applied to items which are components of both an F-kit and a D-kit, also, stocked separately in the appropriate class if followed by the letter "P".

1-48. EXPENDABILITY-REPAIR-COST CODES.

1-49. Expendability-repair-cost codes are completely described in Volume I, Section 1; Volume II, Section 15; and Volume IV, Section 1 of AFM 67-1; also in AMCM 72-2. Ten codes have been established, as follows: ND1, ND2, NB1, NB2, NB3, XD1, XD2, XB1, XB2, and XB3. The definition of each character is as follows:

- N Assigned to nonexpendable items, i. e., items that are not consumed in use and do not lose their original identity during periods of use.
- X Assigned to expendable items, i. e., items that are consumed in use or lose their original identity during periods of use by incorporation into or attachment upon another assembly.
- D Added to letter N or X to indicate that the item should be returned to an overhaul point (depot or contractor) when it becomes unserviceable beyond normal base capabilities.
- B Added to letter N or X to indicate that the item is of such a nature that maintenance above base level would not normally be required.
- 1 For Hi-Valu items listed as such in the 00-35F series T. O. 's.
- 2 For items in cost category 2, i. e., with standard price of \$10.00 or above, other than Hi-Valu.
- 3 For items in cost category 3, i. e., with standard price less than \$10.00.

1-50. EQUIP SPARES. This column lists the quantity of spares of the line item, wherever indicated. Where the column is left blank, no spares are supplied with the equipment.

1-51. REFERENCE DESIGNATION INDEX.

1-52. The Reference Designation Index, Section IV, provides a cross-reference from the reference designations used on the diagrams in the Handbook of Service Instructions (and marked on or near the applicable part in the equipment itself) to parts illustrated in Section II of this manual, to Federal stock number, and to part numbers. The columnar information listed in Section IV is identical with that listed in Section III, except that the listing is by reference designation instead of by part number. The reference designations are arranged first in alphabetical and then in numerical sequence.

1-53. HOW TO USE THIS ILLUSTRATED PARTS BREAKDOWN.

1-54. TO LOCATE A PART WHEN PART NUMBER IS KNOWN.

- a. Locate the part number in the Numerical Index.
- b. Note the figure and index number shown in line with the part number.
- c. Locate the figure and index number in the Group Assembly Parts List.
- d. In the listing, in line with the figure and index number, is shown the part number, the item name, and the description. The part is illustrated on the corresponding figure.

1-55. TO LOCATE A PART WHEN REFERENCE DESIGNATION IS KNOWN.

- a. Locate the reference designation in the Reference Designation Index.
- b. Note the figure and index number shown on the same line.
- c. Locate the figure and index number in the Group Assembly Parts List.
- d. In the listing, opposite the figure and index number, is shown the part number, the item name and the description. The part is illustrated on the corresponding figure.

1-56. TO LOCATE A PART WHEN PART NUMBER AND REFERENCE DESIGNATION ARE NOT KNOWN.

- a. Refer to the Table of Contents and locate the page number of the assembly in which the item is known to be a part.
- b. Turn to the illustration, locate the part, and obtain its index number.
- c. Refer to the corresponding listing and locate the index number, in line with which will be found the part number, the item name, and the description.

1-57. TO REQUISITION A PART. When requisitioning a part, first determine its item name and part number. Identify the part further by determining its reference designation. If no reference designation is available, the item name and part number can be used for identification. When the part has thus been identified, list any other available pertinent information, including the Government standard number, the Federal stock number, and the document from which the information was obtained.

1-58. Check the Equipment Spares column of Section III or IV to determine whether any spares are available for immediate use. If no equipment spares are available, requisition the required part from the maintenance level which can supply the part, as indicated in the SMR column of Section III or IV.

1-59. Exercise care in filling out requisitions. Accuracy is important. Be sure to include all information listed for the part. Avoid costly delays resulting from inadequate information.

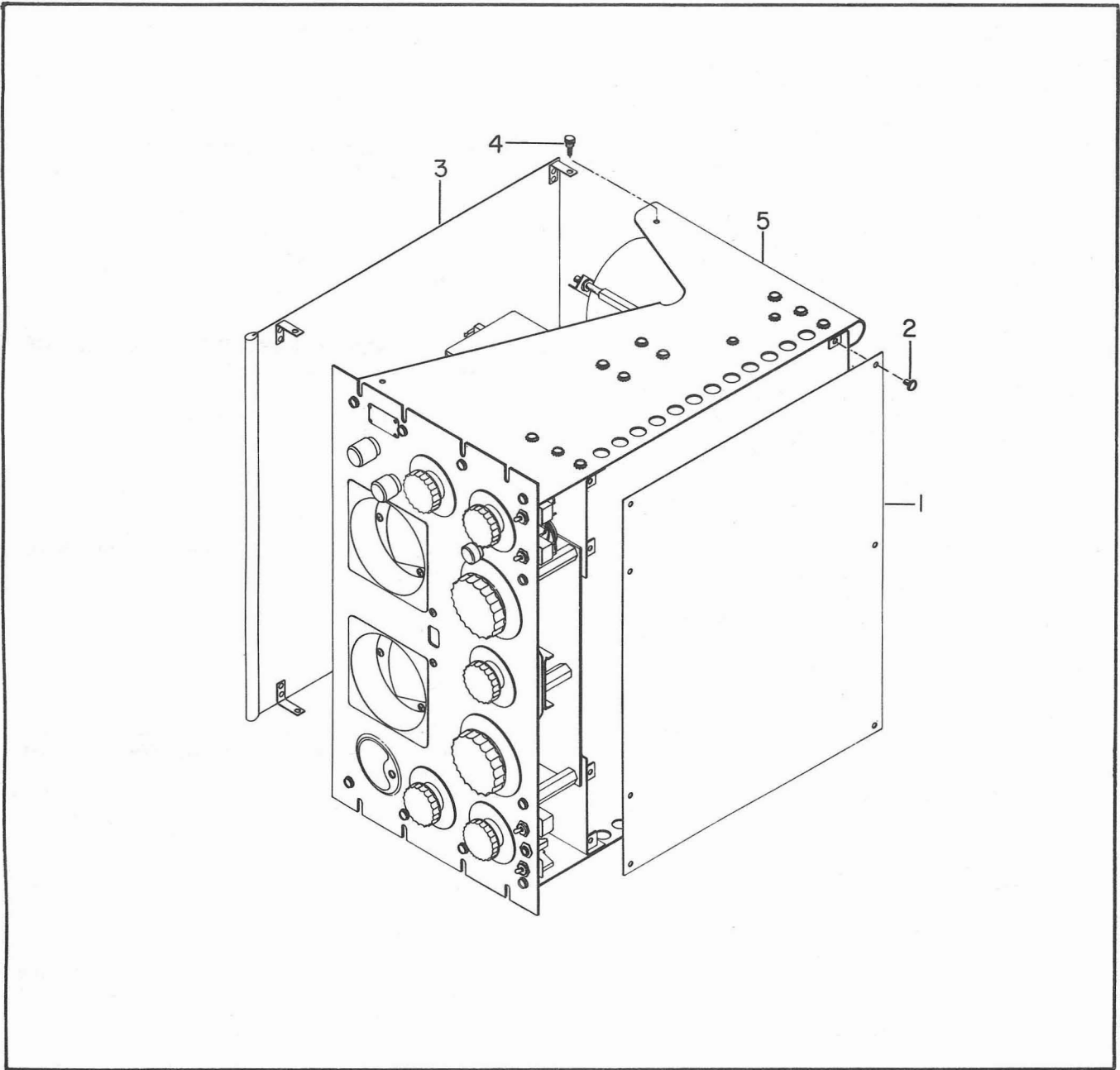


Figure 2. Radio Receiver SP-600-JX-21

SECTION II
GROUP ASSEMBLY PARTS LIST

FIG. & INDEX NO.	PART NO.	1 2 3 4 5 6 7	DESCRIPTION	UNITS PER ASSY	USABLE ON CODE
RADIO RECEIVER SP-600-JX-21					
2-	33904-3		RADIO RECEIVER SP-600-JX-21	1	
-1	31145-1		. PLATE, Bottom	1	
(ATTACHING PARTS)					
-2	COMM		. SCREW, Binding hd steel Cd pl No. 10-32 NF-2 x 5/16 in. lg w/external tooth lock washer steel Cd pl 0.408 OD x 0.024 in. thick (SH)	7	
---*---					
-3	31476-1		. PLATE ASSY, Cover	1	
(ATTACHING PARTS)					
-4	COMM		. SCREW, Thumb knurled hd brs nickel pl No. 6-32 NC-2 x 13/32 in. lg (CGT)	4	
---*---					
-5	33901-3		. . CHASSIS AND PANEL ASSY (see fig. 3 for breakdown)	1	
CHASSIS AND PANEL ASSEMBLY					
3-	33901-3		CHASSIS AND PANEL ASSY (see fig. 2-5 for next higher assy)	Ref	
-1	UG-102/U		. PLUG, Connector	1	
-2	UG-104/U		. CONNECTOR, Adapter	1	
-3	TS102U02		. SHIELD, Electron tube (JAN-S-28A)	11	
-4	TS103U02		. SHIELD, Electron tube (JAN-S-28A)	1	
-5	TS102U01		. SHIELD, Electron tube (JAN-S-28A)	3	
-6	TS102U03		. SHIELD, Electron tube (JAN-S-28A)	1	
-7	31449-1		. SHIELD ASSY, Electron tube	1	
-8	JAN5749/6BA6W		. TUBE, Electron (MIL-E-1B)	7	
-9	JAN12AU7		. TUBE, Electron (MIL-E-1B)	1	
-10	JAN5726/6AL5 W/6097		. TUBE, Electron (MIL-E-1B)	3	
-11	JANOA2		. TUBE, Electron (MIL-E-1B)	1	
-12	JAN6V6GT		. TUBE, Electron (MIL-E-1B)	1	
-13	JAN5R4GY		. TUBE, Electron (MIL-E-1B)	1	
-14	JAN6C4		. TUBE, Electron (MIL-E-1B)	3	
-15	JAN6BE6		. TUBE, Electron (MIL-E-1B)	2	
-16	47		. LAMP, Incandescent 6 - 8 v 0.15 amp (GE)	4	
	31453-1		. LAMP ASSY, Dial	1	
-17	81		. . LAMPHOLDER, Bayonet (ALP)	4	
-18	31227-3		. KNOB AND DIAL ASSY, Phasing	1	
-19	31227-5		. KNOB AND DIAL ASSY, Selectivity	1	
-20	31215-1		. KNOB AND SKIRT ASSY	2	
-21	31227-2		. KNOB AND DIAL ASSY, Audio gain	1	
-22	31227-1		. KNOB AND DIAL ASSY, Radio frequency gain	1	
-23	31227-4		. KNOB AND DIAL ASSY, Beat oscillator	1	

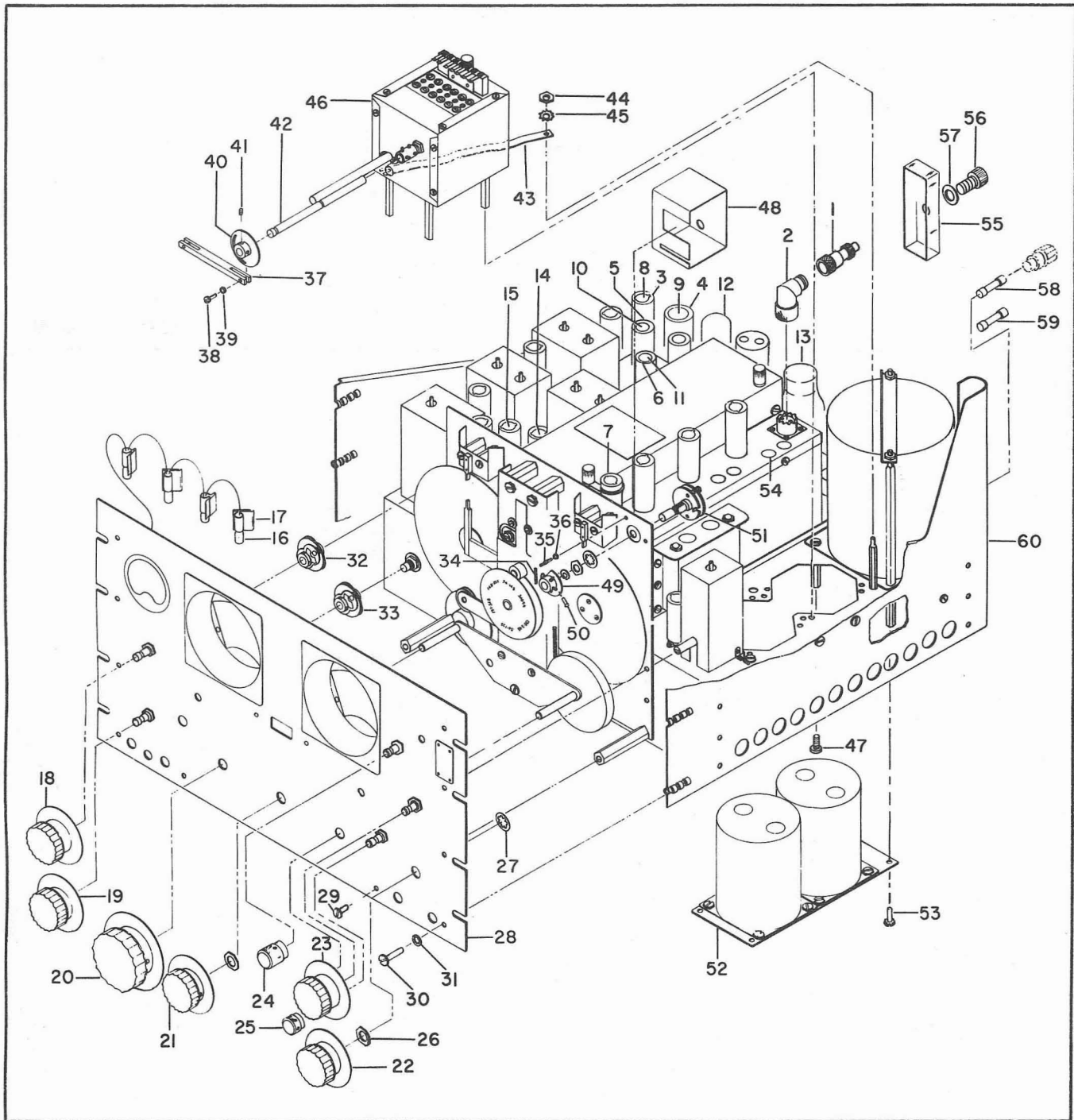


Figure 3. Chassis and Panel Assembly

FIG. & INDEX NO.	PART NO.	DESCRIPTION							UNITS PER ASSY	USABLE ON CODE
		1	2	3	4	5	6	7		

CHASSIS AND PANEL ASSEMBLY (cont)

3-24	31462-1	1	
-25	31434-1	2	
-26	COMM	2	
-27	AN936A616	2	

FIG. & INDEX NO.	PART NO.	DESCRIPTION	UNITS PER ASSY	USABLE ON CODE
CHASSIS AND PANEL ASSEMBLY (cont)				
3-28	31238-1	. PANEL ASSY (See fig. 4 for breakdown)	1	
		(ATTACHING PARTS)		
-29	COMM	. SCREW, Binding hd steel Cd pl No. 10-32 NF-2 x 1/2 in. lg	2	
-30	COMM	. SCREW, Binding hd steel Cd pl No. 10-32 NF-2 x 1 in. lg	8	
-31	AN936A10	. WASHER	10	
		---*---		
-32	415-3	. COUPLER, Flexible	3	
-33	415-2	. COUPLER, Flexible	1	
-34	6039-1	. SPRING	1	
-35	31437-1	. STUD	1	
		(ATTACHING PARTS)		
-36	AN935-6	. WASHER	1	
		---*---		
-37	31433-1	. ROD, Drive	1	
		(ATTACHING PARTS)		
-38	31470-1	. PIN, Screw	2	
-39	AN935-4	. WASHER	2	
		---*---		
-40	31435-1	. WHEEL, Drive	1	
		(ATTACHING PARTS)		
-41	AN565D6H2	. SCREW	2	
		---*---		
-42	31446-1	. SHAFT	1	
-43	31423-1	. CLAMP, Choke	1	
		(ATTACHING PARTS)		
-44	COMM	. NUT, Hex steel Cd pl No. 8-32 NC-2	2	
-45	AN936B8	. WASHER	2	
		---*---		
-46	31409-1	. CONTROL UNIT, Frequency (see fig. 5 for break- down)	1	
		(ATTACHING PARTS)		
-47	COMM	. SCREW, Binding hd steel Cd pl No. 8-32 NC-2 x 1/2 in. lg incl external tooth lock washer steel Cd pl 0.317 OD x 0.024 in. thick	4	
		---*---		
-48	33924-1	. CAN, Shield	1	
-49	31436-1	. WHEEL, Drive	1	
		(ATTACHING PARTS)		
-50	AN565D6H2	. SCREW	2	
		---*---		
-51	No Number	. SWITCH, Rotary 1 section 2 position type F (OAK)	1	
-52	31447-1	. FILTER ASSY (see fig. 6 for breakdown)	1	
		(ATTACHING PARTS)		
-53	COMM	. SCREW, Binding hd steel Cd pl No. 10-32 NF-2 x 1/2 in. lg incl external tooth lock washer steel Cd pl 0.408 OD x 0.024 in. thick	4	
		---*---		
-54	350-2	. BUTTON, Plug snap (SWLC)	10	
-55	31449-1	. COVER, Spare fuse.	1	

FIG. & INDEX NO.	PART NO.	DESCRIPTION	UNITS PER ASSY	USABLE ON CODE
		1 2 3 4 5 6 7		
CHASSIS AND PANEL ASSEMBLY (cont)				
(ATTACHING PARTS)				
3-56	31495-1	. SCREW, Knurled	1	
-57	1220-2	. WASHER, Internal tooth lock (SH)	1	
		----*----		
-58	AGC 3/8	. FUSE, Cartridge 3/8 amp 250 v (BUS)	2	
-59	MDL1-6/10	. FUSE, Cartridge 1.6 amp 125 v slow-blow (BUS)	2	
-60	33903-3	. CHASSIS AND TUNING UNIT ASSY (see fig. 7 for breakdown)	1	
PANEL ASSEMBLY				
4-	31238-1	PANEL ASSY (see fig. 3-28 for next higher assy)	Ref	
-1	31454-1	. TERMINAL ASSY, Meter	1	
-2	4903-2	. METER, Audio level DC 0 to 250 ua ± 1 ma basic movement (BEI type 411)	1	
(ATTACHING PARTS)				
-3	D-54108	. CLAMP, Meter ring (WS)	1	
-4	33908-1	. WASHER	1	
		----*----		
	31431-3	. SHAFT AND BUSHING ASSY	1	
(ATTACHING PARTS)				
-5	COMM	. NUT, Hex steel Cd pl 3/8 in.-32 NEF-2	1	
-6	AN936A616	. WASHER	1	
		----*----		
-7	31444-1	. . BUSHING	1	
(ATTACHING PARTS)				
-8	WA512	. . RING, Retaining (NL)	1	
		----*----		
-9	1561-1	. . WASHER, Tension	1	
-10	31445-3	. . SHAFT	1	
	3143-2	. SHAFT AND BUSHING ASSY	1	
(ATTACHING PARTS)				
-11	COMM	. NUT, Hex steel Cd pl 3/8 in.-32 NEF-2	1	
-12	AN936A616	. WASHER	1	
		----*----		
-13	31444-1	. . BUSHING	1	
(ATTACHING PARTS)				
-14	WA512	. . RING, Retaining(NL)	1	
		----*----		
-15	1561-1	. . WASHER, Tension	1	
-16	31445-2	. . SHAFT	1	
	31431-1	. SHAFT AND BUSHING ASSY	1	
(ATTACHING PARTS)				
-17	COMM	. NUT, Hex steel Cd pl 3/8 in.-32 NEF-2	1	
-18	AN936A616	. WASHER	1	
		----*----		
-19	31444-1	. . BUSHING	1	
(ATTACHING PARTS)				
-20	WA512	. . RING, Retaining (NL)	1	
		----*----		

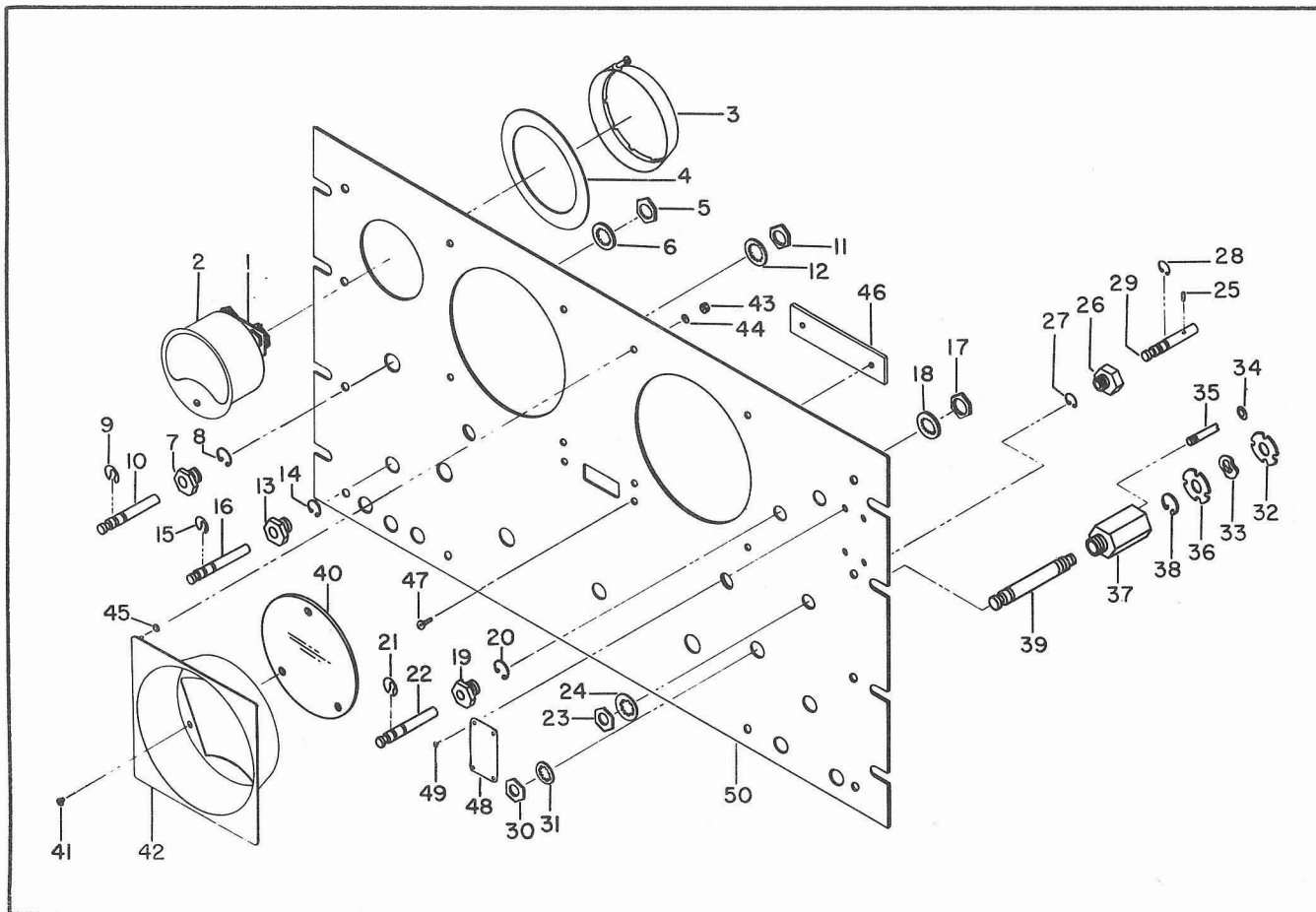


Figure 4. Panel Assembly

FIG. & INDEX NO.	PART NO.	DESCRIPTION	UNITS PER ASSY	USABLE ON CODE
		1 2 3 4 5 6 7		
PANEL ASSEMBLY (cont)				
4-21	156-1	. . . WASHER, Tension	1	
-22	31445-1	. . . SHAFT	1	
	31432-1	. . . SHAFT AND BUSHING ASSY	1	
(ATTACHING PARTS)				
-23	COMM	. . . NUT, Hex steel Cd pl 3/8 in.-32 NEF-2	1	
-24	AN936A616	. . . WASHER	1	
---*---				
-25	COMM	. . . PIN, Grooved CRES 1/16 dia x 3/8 in. lg (GVP)	1	
-26	31442-1	. . . BUSHING	1	
(ATTACHING PARTS)				
-27	WA512	. . . RING, Retaining (NL)	1	
---*---				
-28	1561-1	. . . WASHER, Tension	1	
-29	31443-1	. . . SHAFT	1	
	31460-1	. . . TUNING LOCK ASSY	1	
(ATTACHING PARTS)				
-30	COMM	. . . NUT, Hex steel Cd pl 3/8 in.-32 NEF-2	1	
-31	1220-2	. . . WASHER, Internal tooth lock (SH)	1	
---*---				

FIG. & INDEX NO.	PART NO.	DESCRIPTION	UNITS PER ASSY	USABLE ON CODE
		1 2 3 4 5 6 7		
PANEL ASSEMBLY (cont)				
4-32	19578-4	. . DISC, Lock	1	
-33	3502-10-1	. . WASHER, Bent spring (SH)	1	
-34	COMM	. . WASHER, Flat brs Cd pl 1/4 OD x 0.128 ID x 0.031 in. thick	1	
-35	19580-1	. . PIN, Lock	1	
-36	19578-3	. . DISC, Lock	1	
-37	31459-1	. . BEARING, Lock	1	
(ATTACHING PARTS)				
-38	WA512	. . RING, Retaining (NL)	2	
---*---				
-39	31458-1	. . SHAFT, Lock	1	
-40	31281-1	. WINDOW, Dial	2	
(ATTACHING PARTS)				
-41	COMM	. SCREW, Binding hd phillips steel rustproof No. 4-40 NC-2 x 1/8 in. lg	6	
---*---				
-42	31283-1	. ESCUTCHEON	2	
(ATTACHING PARTS)				
-43	COMM	. NUT, Hex steel Cd pl No. 4-40 NC-2	8	
-44	AN936A4	. WASHER	8	
-45	10002-4	. WASHER, Insulating	8	
---*---				
-46	31282-1	. WINDOW	1	
(ATTACHING PARTS)				
-47	COMM	. SCREW, Binding hd phillips steel rustproof No. 4-40 NC-2 x 1/4 in. lg	2	
---*---				
-48	31463-1	. LABEL, Frequency control	1	
(ATTACHING PARTS)				
-49	COMM	. SCREW, Rd hd phillips steel Cd pl No. 2-56 NC-2 x 5/32 in. lg	4	
---*---				
-50	31219-3	. . PANEL	1	
FREQUENCY CONTROL UNIT				
5-	31409-1	. CONTROL UNIT, Frequency (see fig. 3-46 for next higher assy)	Ref	
-1	JAN6AC7	. TUBE, Electron (MIL-E-1B)	1	
-2	CC21UJ120J	. CAPACITOR, Fixed ceramic dielectric (MIL-C-20)	1	
-3	31411-1	. COVER	1	
(ATTACHING PARTS)				
-4	COMM	. SCREW, Binding hd steel Cd pl No. 4-40 NC-2 x 1/4 in. lg incl external tooth lock washer steel Cd pl 0.254 OD x 0.019 in. thick	12	
---*---				
	31275-1	. COUPLER ASSY, Shaft	1	
-5	AN565D8H3	. . SCREW	4	
-6	3901-2	. . COUPLING, Shaft	1	
-7	31419-2	. POST, Mounting	1	
-8	31419-1	. POST, Mounting	3	

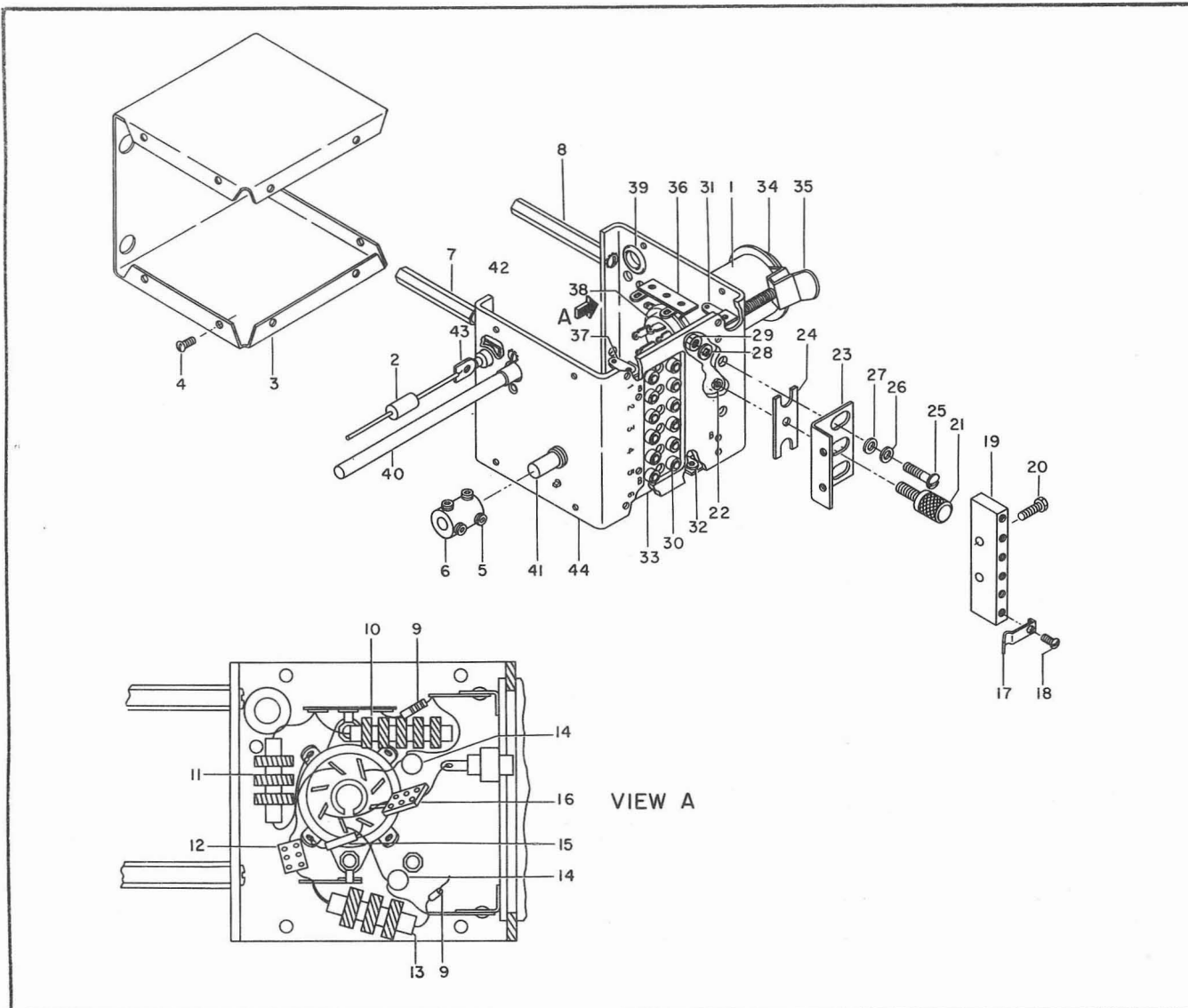


Figure 5. Frequency Control Unit

FIG. & INDEX NO.	PART NO.	DESCRIPTION	UNITS PER ASSY							USABLE ON CODE	
			1	2	3	4	5	6	7		
FREQUENCY CONTROL UNIT (cont)											
(ATTACHING PARTS)											
5-	COMM	SCREW, Binding hd steel Cd pl No. 6-32 NC-2 x 5/16 in. lg incl external tooth lock washer steel Cd pl 0.270 OD x 0.021 in. thick								4	
---*---											
-9	RC20BF181K	RESISTOR, Fixed composition (MIL-R-11A)								2	
-10	4540	COIL, Radio frequency 10 mh (MLR)								1	
-11	15617-1	COIL, Radio frequency 1 mh								1	
-12	CM15C390J	CAPACITOR, Fixed mica dielectric (MIL-C-5A)								1	
-13	4541	COIL, Radio frequency 25 mh (MLR)								1	
-14	No Number	CAPACITOR, Fixed ceramic dielectric 10,000 uuf 1000 v DC working type B (RAMT)								2	
-15	RC20BF473K	RESISTOR, Fixed composition (MIL-R-11A)								1	
-16	CM30E222J	CAPACITOR, Fixed mica dielectric (MIL-C-5A)								1	
-17	31417-1	SPRING								6	

Section II
Group Assembly Parts List

T.O. 31R2-4-101-4

FIG. & INDEX NO.	PART NO.	1	2	3	4	5	6	7	DESCRIPTION	UNITS PER ASSY	USABLE ON CODE
FREQUENCY CONTROL UNIT (cont)											
(ATTACHING PARTS)											
5-18	COMM	.							SCREW, Rd hd steel Cd pl No. 4-40 NC-2 x 1/4 in. lg incl internal tooth lock washer steel Cd pl 0.20 OD x 0.019 in. thick	6	
-19	3145-1	.							SUPPORT, Spring	1	
(ATTACHING PARTS)											
-20	COMM	.							SCREW, Binding hd steel Cd pl No. 6-32 NC-2 x 3/8 in. lg incl external tooth lock washer steel Cd pl 0.270 OD x 0.021 in. thick	2	
-21	31413-1	.							SCREW, Thumb	1	
(ATTACHING PARTS)											
-22	WA510	.							RING, Retaining (NL)	1	
-23	31416-1	.							BRACKET, Slide	1	
-24	31414-1	.							NUT, Plate	1	
(ATTACHING PARTS)											
-25	COMM	.							SCREW, Binding hd brs Cd pl No. 8-32 NC-2 x 5/8 in. lg	2	
-26	COMM	.							WASHER, Flat steel Cd pl 3/8 OD x 11/64 ID x 1/32 in. thick	4	
-27	31418-1	.							WASHER, Spacer	4	
-28	AN936A8	.							WASHER	2	
-29	COMM	.							NUT, Hex steel Cd pl No. 8-32 NC-2	2	
-30	9748-1	.							SOCKET, Crystal (EBY)	6	
(ATTACHING PARTS)											
	AN505-4-7	.							SCREW	6	
	10002-16	.							WASHER, Insulating	6	
	AN936A4	.							WASHER	6	
	COMM	.							NUT, Hex steel Cd pl No. 4-40 NC-2	6	
-31	T-2-5	.							STRIP, Terminal (FNK)	1	
-32	2423	.							STRIP, Terminal (ICA)	1	
-33	31412-1	.							PLATE, Crystal mounting	1	
(ATTACHING PARTS)											
	COMM	.							SCREW, Binding hd steel Cd pl No. 6-32 NC-2 x 1/4 in. lg incl external tooth lock washer steel Cd pl 0.270 OD x 0.021 in. thick	4	
	AN936A6	.							WASHER	2	
-34	16136-2	.							RETAINER, Electron tube	1	
-34	2	.							HAT, Electron tube (TTE)	1	
-35	25	.							POST, Threaded CRES No. 8-32 NC-2 x 2-5/8 in. lg (TTE)	1	
(ATTACHING PARTS)											
	COMM	.							NUT, Hex steel nickel pl No. 8-32 NC-2	2	
	COMM	.							WASHER, Internal tooth lock steel nickel pl for No. 8 screw	1	
-36	1520	.							STRIP, Terminal (CIN)	1	
-37	T-2-5	.							STRIP, Terminal (FNK)	1	
-38	9859	.							SOCKET, Electron tube octal (CIN)	1	

FIG. & INDEX NO.	PART NO.	DESCRIPTION	UNITS PER ASSY	USABLE ON CODE
FREQUENCY CONTROL UNIT (cont)				
(ATTACHING PARTS)				
5-	COMM	. SCREW, Binding hd steel Cd pl No. 6-32 NC-2	2	
		x 5/16 in. lg		
	AN936B6	. WASHER	2	
	COMM	. NUT, Hex steel Cd pl No. 6-32 NC-2	2	
		---*---		
-39	2666	. GROMMET (CAF)	1	
-40	11726-109	. CAPACITOR, Variable air dielectric plate meshing . . .	1	
		type 75 uuf max		
(ATTACHING PARTS)				
	AN505-4-4	. SCREW	1	
	COMM	. SCREW, Binding hd steel Cd pl No. 4-40 NC-2	1	
		x 1/4 in. lg incl external tooth lock washer steel Cd pl 0.254 OD x 0.019 in. thick		
		---*---		
-41	No Number	. SWITCH, Rotary 7 position 2 pole series 3227	1	
		type F (MAL)		
(ATTACHING PARTS)				
	COMM	. NUT, Hex steel Cd pl No. 3/8 in.-32 NEF-2	1	
		---*---		
-42	31483-1	. PLATE, Mounting	1	
-43	31410-1	. TERMINAL, Feed thru (ELII)	1	
-44	31410-1	. BOX, Crystal	1	

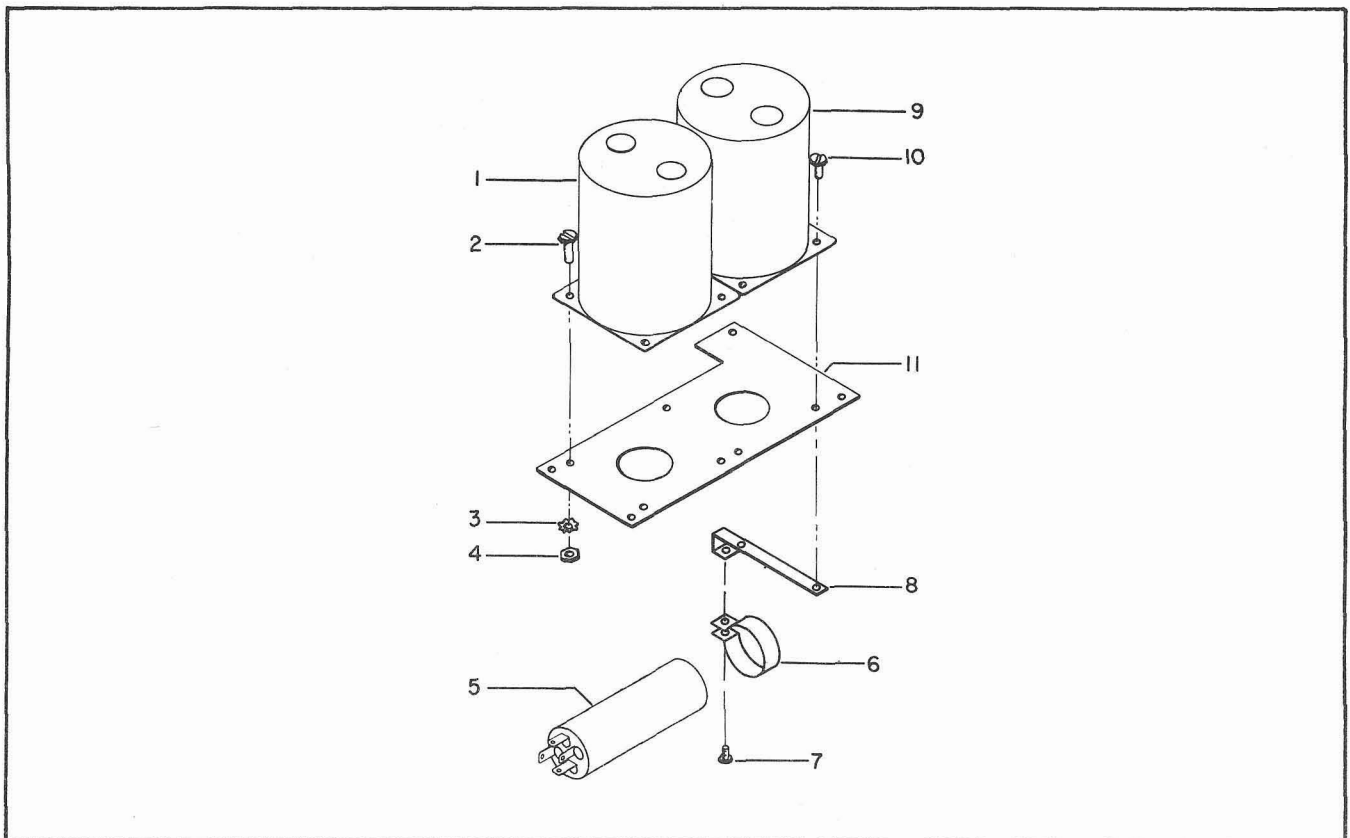


Figure 6. Filter Assembly

FIG. & INDEX NO.	PART NO.	DESCRIPTION	UNITS PER ASSY	USABLE ON CODE
		1 2 3 4 5 6 7		
FILTER ASSEMBLY				
6-	31447-1	FILTER ASSY (see fig. 3-52 for next higher assy)	Ref	
-1	31030-2	. CHOKE, Filter 8.5 H 150 ma	1	
(ATTACHING PARTS)				
-2	COMM	. SCREW, Binding hd steel Cd pl No. 8-32 NC-2 x 3/8 in. lg incl external tooth lock washer steel Cd pl 0.317 OD x 0.021 in. thick	4	
-3	AN936B8	. WASHER	4	
-4	COMM	. NUT, Hex steel Cd pl No. 8-32 NC-2	4	
----*----				
-5	CE33D200R	. CAPACITOR, Fixed, electrolytic (JAN-C-62).	1	
-6	31485-1	. CLAMP	2	
(ATTACHING PARTS)				
-7	COMM	. SCREW, Binding hd steel Cd pl No. 6-32 NC-2 x 5/16 in. lg incl external tooth lock washer steel Cd pl 0.270 OD x 0.021 in. thick	2	
----*----				
-8	31484-1	. BRACKET	2	
-9	31031-2	. CHOKE, Filter 20 H 115 ma	1	
(ATTACHING PARTS)				
-10	COMM	. SCREW, Binding hd steel Cd pl No. 8-32 NC-2 x 1/2 in. lg incl external tooth lock washer 0.317 OD x 0.021 in. thick	4	
----*----				
-11	31286-1	. PLATE, Choke mounting.	1	
CHASSIS AND TUNING UNIT ASSEMBLY				
7-	33903-3	CHASSIS AND TUNING UNIT ASSY (see fig. 3-60 for next higher assy)	Ref	
-1	31199-1	. INDICATOR, Dial	2	
(ATTACHING PARTS)				
-2	AN515-2-4	. SCREW	4	
-3	AN936A2	. WASHER	4	
----*----				
-4	31276-1	. BRACKET	2	
(ATTACHING PARTS)				
-5	COMM	. SCREW, Binding hd steel Cd pl No. 6-32 NC-2 x 5/16 in. lg incl external tooth lock washer steel Cd pl 0.270 OD x 0.021 in. thick	4	
----*----				
-6	9226-13	. SPACER	4	
(ATTACHING PARTS)				
-7	COMM	. SCREW, Binding hd steel Cd pl No. 6-32 NC-2 x 5/16 in. lg incl external tooth lock washer steel Cd pl 0.270 OD x 0.021 in. thick	4	
----*----				
-8	31186-1	. POINTER.	1	
(ATTACHING PARTS)				
-9	AN515-2-6	. SCREW	2	
-10	AN936A2	. WASHER	2	
----*----				

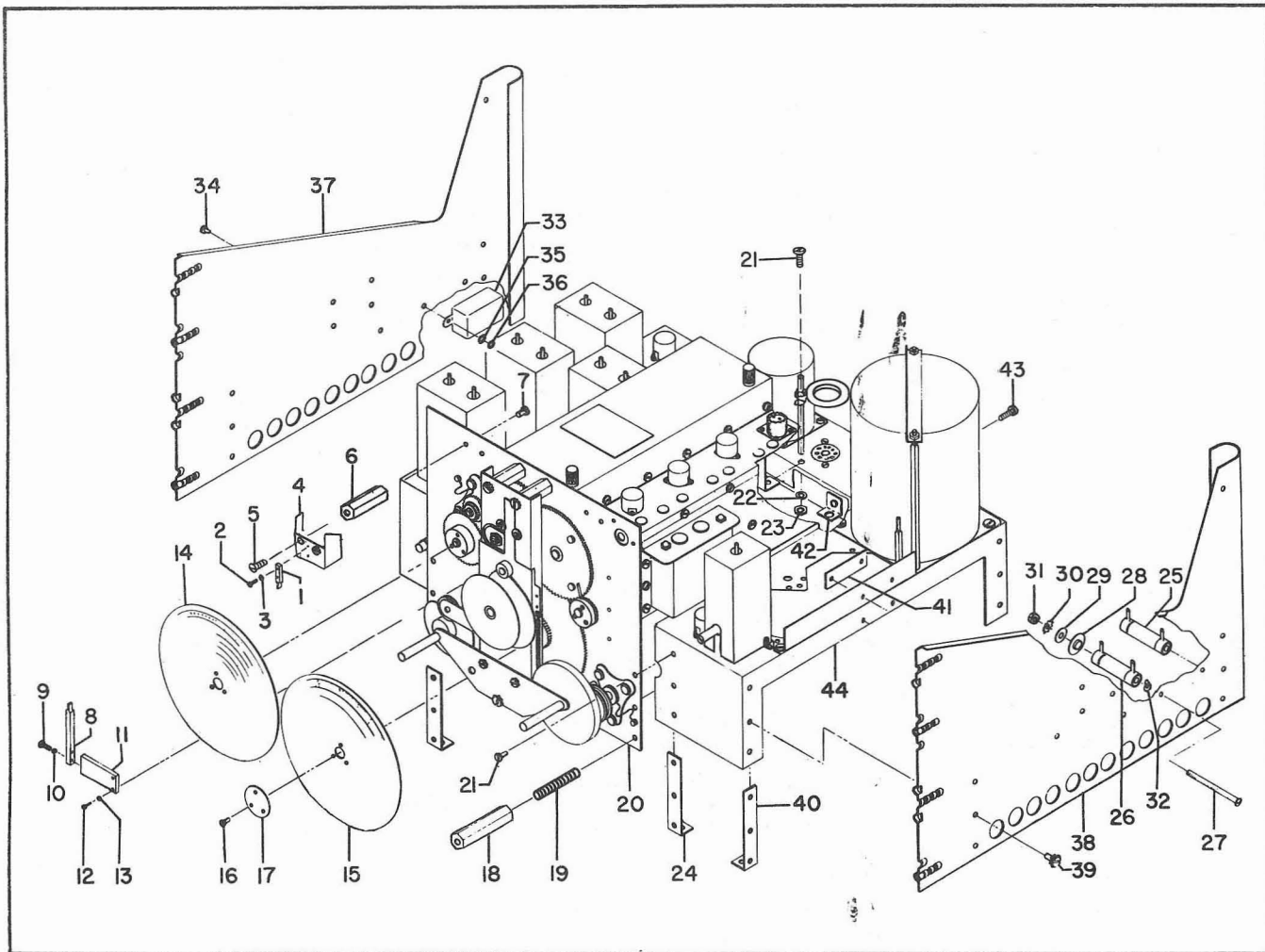


Figure 7. Chassis and Tuning Unit Assembly

FIG. & INDEX NO.	PART NO.	DESCRIPTION	UNITS PER ASSY	USABLE ON CODE
		1 2 3 4 5 6 7		
CHASSIS AND TUNING UNIT ASSEMBLY (cont)				
7-11	31185-1	. SUPPORT, Pointer	1	
(ATTACHING PARTS)				
-12	AN515-2-4	. SCREW	2	
-13	AN936A2	. WASHER	2	
---*---				
-14	31438-1	. DIAL, Main	1	
-15	31439-1	. DIAL, Band spread	1	
(ATTACHING PARTS)				
-16	AN505-4-4	. SCREW	6	
-17	31083-1	. WASHER, Dial	2	
---*---				
-18	31290-1	. POST, Spacer	2	
(ATTACHING PARTS)				
-19	10010-19	. STUD, Threaded	2	
---*---				
-20	31280-1	. TUNING UNIT ASSY (see fig. 8 for breakdown)	1	

FIG. & INDEX NO.	PART NO.	1	2	3	4	5	6	7	DESCRIPTION	UNITS PER ASSY	USABLE ON CODE
CHASSIS AND TUNING UNIT ASSEMBLY (cont)											
(ATTACHING PARTS)											
7-21	COMM	.							SCREW, Binding hd steel Cd pl No. 10-32 NF-2 x 3/8 in. lg incl external tooth lock washer steel Cd pl 0.408 OD x 0.024 in. thick	5	
-22	AN936A10	.							WASHER	1	
-23	COMM	.							NUT, Hex steel Cd pl No. 10-32 NF-2	1	
*---											
-24	31143-1	.							PLATE, Nut	2	
-25	No Number	.							RESISTOR, Fixed wirewound 7500 ohms ±10% 20W type FR20 (MODE)	1	
-26	No Number	.							RESISTOR, Fixed wirewound 10,000 ohms ±10% 20W type FR20 (MODE)	1	
(ATTACHING PARTS)											
-27	COMM	.							SCREW, Rd hd steel Cd pl No. 6-32 NC-2 x 2-3/8 in. lg	2	
-28	P11003	.							WASHER, Cupped (MODE)	4	
-29	10002-62	.							WASHER, Insulating	4	
-30	AN936B6	.							WASHER	2	
-31	COMM	.							NUT, Hex steel Cd pl No. 6-32 NC-2	2	
*---											
-32	2104-6	.							TERMINAL, Locking (SH)	2	
-33	CP53B6EF503V	.							CAPACITOR, Fixed paper dielectric (MIL-C-25A)	1	
(ATTACHING PARTS)											
-34	COMM	.							SCREW, Binding hd steel Cd pl No. 6-32 NC-2 x 5/16 in. lg incl external tooth lock washer steel Cd pl 0.270 OD x 0.021 in. thick	2	
-35	AN936B6	.							WASHER	2	
-36	COMM	.							NUT, Hex steel Cd pl No. 6-32 NC-2	2	
*---											
-37	31146-2	.							BRACKET, Left side	1	
-38	31146-1	.							BRACKET, Right side	1	
(ATTACHING PARTS)											
-39	COMM	.							SCREW, Binding hd steel Cd pl No. 10-32 NF-2 x 3/8 in. lg incl external tooth lock washer steel Cd pl 0.408 OD x 0.024 in. thick	18	
*---											
-40	31143-1	.							PLATE, Nut	4	
-41	31142-1	.							PLATE, Nut	3	
-42	31139-1	.							BRACKET	1	
(ATTACHING PARTS)											
-43	COMM	.							SCREW, Binding hd steel Cd pl No. 6-32 NC-2 x 5/16 in. lg incl external tooth lock washer steel Cd pl 0.270 OD x 0.021 in. thick	1	
*---											
-44	33906-1	.							CHASSIS ASSY (see fig. 32 for breakdown)	1	
TUNING UNIT ASSEMBLY											
8-	31280-1	.							TUNING UNIT ASSY (see fig. 7-20 for next higher assy)	Ref	
-1	No Number	.							WRENCH, Hex socket No. 10 (ALN)	1	
-2	No Number	.							WRENCH, Hex socket No. 8 (ALN)	1	
-3	No Number	.							WRENCH, Hex socket No. 6 (ALN)	1	
-4	103	.							CLIP (ZE)	1	
-5	33	.							CLIP (BBR)	1	
-6	31452-1	.							COVER ASSY, Shield cover w/nameplate	1	

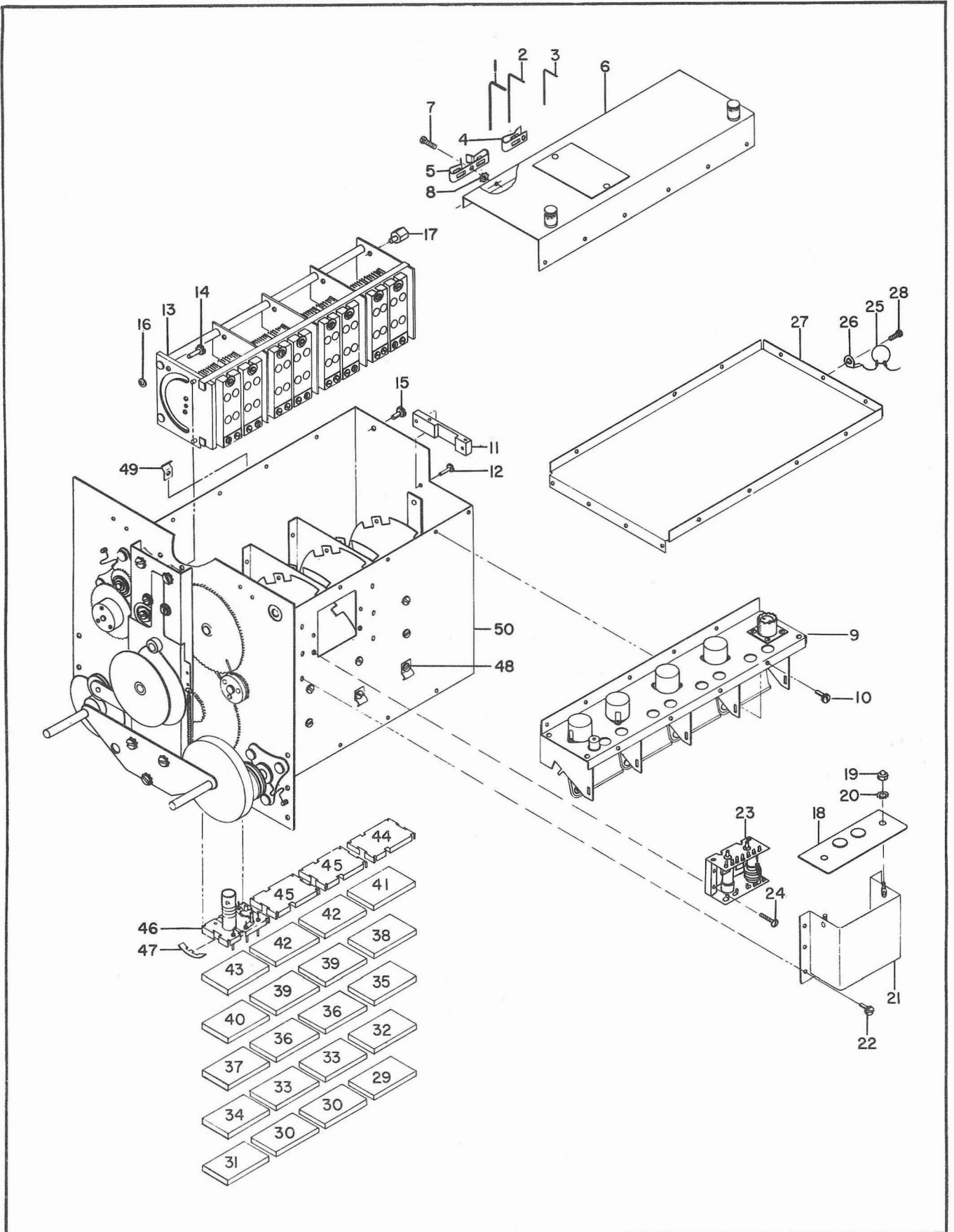


Figure 8. Tuning Unit Assembly

FIG. & INDEX NO.	PART NO.	1	2	3	4	5	6	7	UNITS PER ASSY	USABLE ON CODE
TUNING UNIT ASSEMBLY (cont)										
(ATTACHING PARTS)										
8-7	COMM	.	SCREW, Binding hd steel Cd pl No. 6-32 NC-2	10	
			x 1/4 in. lg incl external tooth lock washer							
			0.270 OD x 0.021 in. thick							
-8	AN936A6	.	WASHER	2	
-9	31231-1	.	WIRING ASSY, Radio frequency (see fig. 9 for	1	
			breakdown)							
(ATTACHING PARTS)										
-10	COMM	.	SCREW, Binding hd steel Cd pl No. 6-32 NC-2	8	
			x 1/4 in. lg incl external tooth lock washer							
			steel Cd pl 0.270 OD x 0.021 in. thick							
-11	31155-1	.	PLATE, Nut	1	
(ATTACHING PARTS)										
-12	COMM	.	SCREW, Binding hd steel Cd pl No. 6-32 NC-2	2	
			x 1/4 in. lg incl external tooth lock washer							
			steel Cd pl 0.270 OD x 0.021 in. thick							
-13	34001-1	.	CAPACITOR, Variable air dielectric 8 sections	1	
			12-155 uuf per section							
(ATTACHING PARTS)										
-14	COMM	.	SCREW, Binding hd steel Cd pl No. 10-32 NF-2	1	
			x 1/4 in. lg incl external tooth lock washer							
			steel Cd pl 0.408 OD x 0.024 in. thick							
-15	COMM	.	SCREW, Binding hd steel Cd pl No. 10-32 NF-2	1	
			x 1/2 in. lg incl external tooth lock washer							
			steel Cd pl 0.408 OD x 0.024 in. thick							
-16	31119-1	.	SPACER	1	
-17	31129-1	.	STUD	1	
-18	31376-1	.	PLATE, Shield	1	
(ATTACHING PARTS)										
-19	10049-2	.	NUT, Hex cap	2	
-20	AN936B6	.	WASHER	2	
-21	31378-1	.	SHIELD AND SPADE ASSY	1	
(ATTACHING PARTS)										
-22	COMM	.	SCREW, Binding hd steel Cd pl No. 6-32 NC-2	6	
			x 1/4 in. lg incl external tooth lock washer							
			steel Cd pl 0.270 OD x 0.021 in. thick							
-23	31183-1	.	COIL ASSY, Mixer plate (see fig. 10 for breakdown)	1	
(ATTACHING PARTS)										
-24	COMM	.	SCREW, Rd hd steel Cd pl No. 6-32 NC-2 x 5/8 in.	4	
			lg incl external tooth lock washer steel Cd							
			pl 0.270 OD x 0.021 in. thick							
-25	No Number	.	CAPACITOR, Fixed ceramic dielectric 10,000 uuf,	1	
			1000 v DC working type B (RAMT)							
-26	2104-6	.	TERMINAL, Locking (SH)	1	
-27	31128-1	.	COVER, Bottom	1	

FIG. & INDEX NO.	PART NO.	DESCRIPTION	UNITS PER ASSY	USABLE ON CODE
TUNING UNIT ASSEMBLY (cont)				
(ATTACHING PARTS)				
8-28	COMM	. SCREW, Binding hd steel Cd pl No. 6-32 NC-2 x 1/4 in. lg incl external tooth lock washer steel Cd pl 0.270 OD x 0.021 in. thick	13	
---*---				
-29	31387-1	. INPUT ASSY, RF 0.54 - 1.35 mc (see fig. 11 for breakdown)	1	
-30	31386-1	. TRANSFORMER ASSY, RF 0.54 - 1.35 mc (see fig. 12 for breakdown)	2	
-31	31385-1	. OSCILLATOR ASSY, HF 0.54 - 1.35 mc (see fig. 13 for breakdown)	1	
-32	31390-1	. INPUT ASSY, RF 1.35 - 3.45 mc (see fig. 14 for breakdown)	1	
-33	31389-1	. TRANSFORMER ASSY, RF 1.35 - 3.45 mc (see fig. 15 for breakdown)	2	
-34	31388-1	. OSCILLATOR ASSY, HF 1.35 - 3.45 mc (see fig. 16 for breakdown)	1	
-35	31393-1	. INPUT ASSY, RF 3.45 - 7.4 mc (see fig. 17 for breakdown)	1	
-36	31392-1	. TRANSFORMER ASSY, RF 3.45 - 7.4 mc (see fig. 18 for breakdown)	2	
-37	31391-1	. OSCILLATOR ASSY, HF 3.45 - 7.4 mc (see fig. 19 for breakdown)	1	
-38	31396-1	. INPUT ASSY, RF 7.4 - 14.8 mc (see fig. 20 for breakdown)	1	
-39	31395-1	. TRANSFORMER ASSY, RF 7.4 - 14.8 mc (see fig. 21 for breakdown)	2	
-40	31394-1	. OSCILLATOR ASSY, HF 7.4 - 14.8 mc (see fig. 22 for breakdown)	1	
-41	31399-1	. INPUT ASSY, RF 14.8 - 29.7 mc (see fig. 23 for breakdown)	1	
-42	31398-1	. TRANSFORMER ASSY, RF 14.8 - 29.7 mc (see fig. 24 for breakdown)	2	
-43	31397-1	. OSCILLATOR ASSY, HF 14.8 - 29.7 mc (see fig. 25 for breakdown)	1	
-44	31405-1	. INPUT ASSY, RF 29.7 - 54 mc (see fig. 26 for breakdown)	1	
-45	31404-1	. TRANSFORMER ASSY, RF 29.7 - 54 mc (see fig. 27 for breakdown)	2	
-46	31403-1	. OSCILLATOR ASSY, HF 29.7 - 54 mc (see fig. 28 for breakdown)	1	
(ATTACHING PARTS)				
-47	31003-1	. SPRING	48	
---*---				
-48	78	. CLAMP, Cable (ZE)	4	
-49	139	. CLAMP, Cable (ZE)	2	
-50	31291-1	. GEAR TRAIN ASSY (see fig. 29 for breakdown)	1	
RADIO FREQUENCY WIRING ASSEMBLY				
9-	31231-1	. WIRING ASSY, Radio frequency (see fig. 8-9 for next . . higher assy)	Ref	
-1	RC20BF220K	. RESISTOR, Fixed composition (MIL-R-11A)	2	
-2	CC21UJ050C	. CAPACITOR, Fixed ceramic dielectric (MIL-C-20)	2	
	31234-1	. BASE AND SPRING ASSY	4	
-3	31089-1	. SPRING	6	

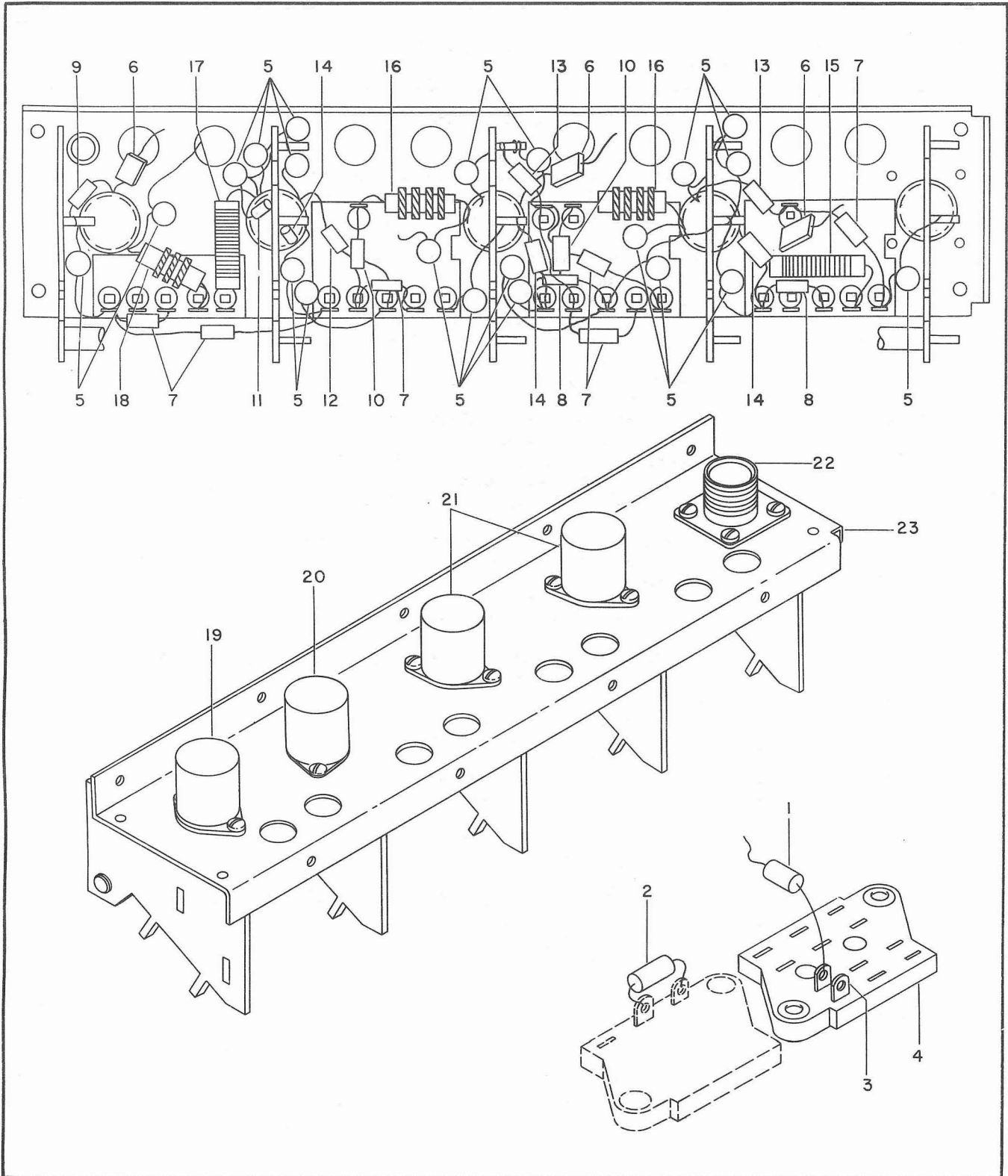


Figure 9. Radio Frequency Wiring Assembly

FIG. & INDEX NO.	PART NO.	DESCRIPTION	UNITS PER ASSY	USABLE ON CODE
		1 2 3 4 5 6 7		
RADIO FREQUENCY WIRING ASSEMBLY (cont)				
9-4	31203-1 BASE AND EYELET ASSY	1	
-5	No Number CAPACITOR, Fixed ceramic 10,000 uuf 1000 v DC working type B (RAMT)	21	
-6	CM15C101G CAPACITOR, Fixed mica dielectric (MIL-C-5A)	3	
-7	RC20BF102K RESISTOR, Fixed composition (MIL-R-11A)	6	
-8	RC20BF103J RESISTOR, Fixed composition (MIL-R-11A)	2	
-9	RC20BF473K RESISTOR, Fixed composition (MIL-R-11A)	1	
-10	RC20BF511J RESISTOR, Fixed composition (MIL-R-11A)	2	
-11	RC20BF151J RESISTOR, Fixed composition (MIL-R-11A)	1	
-12	RC20BF682K RESISTOR, Fixed composition (MIL-R-11A)	1	
-13	RC20BF333J RESISTOR, Fixed composition (MIL-R-11A)	2	
-14	No Number RESISTOR, Fixed composition 510,000 ohms \pm 5% 1/3 W type BTR (IRC)	3	
-15	15611-1 COIL, Radio frequency 22 uh	1	
-16	15612-1 COIL, Radio frequency 192 uh	2	
-17	15613-1 COIL, Radio frequency 26 uh	1	
-18	15627-1 COIL, Radio frequency 2.5 uh	1	
	31233-1 MOUNTING PLATE AND TERMINAL BOARD ASSY	1	
-19	No Number SOCKET, Electron tube (similar to JAN TS102C01 w/o center shield) (EBY)	1	
-20	TS102C01 SOCKET, Electron tube (JAN-S-28A)	1	
-21	TSE7T101 SOCKET, Electron tube (JAN-S-28A)	2	
22	UE-103/U CONNECTOR, Receptacle	1	
(ATTACHING PARTS)				
	COMM SCREW, Rd hd steel Cd pl No. 4-40 NC 2 x 1/4 in. lg incl internal tooth lock washer steel Cd pl 0.020 OD x 0.019 in. thick	12	
---*---				
-23	*No Number MOUNTING PLATE AND TERMINAL BOARD SUB-ASSY	NP	
MIXER PLATE COIL ASSEMBLY				
10-	31183-1	COIL ASSY, Mixer plate (see fig. 8-23 for next higher assy)	Ref	
-1	No Number CAPACITOR, Fixed mica dielectric 85 uuf \pm 2 uuf 500 v DC (ELMP)	1	
-2	CM15C221G CAPACITOR, Fixed mica dielectric (MIL-C-5A)	1	
-3	RC20BF222K RESISTOR, Fixed composition (MIL-R-11A)	1	
-4	No Number CAPACITOR, Fixed ceramic dielectric 10,000 uuf 1000 v DC working type B (RAMT)	1	
-5	2104-6 TERMINAL, Locking	1	
-6	C7133B-632-012 NUT, Tension (TIN)	2	
-7	31181-1 TERMINAL STRIP AND LUG ASSY	1	
(ATTACHING PARTS)				
	COMM SCREW, Binding hd steel Cd pl No. 6-32 NC-2 x 1/4 in. lg incl external tooth lock washer steel Cd pl 0.270 OD x 0.021 in. thick	2	
---*---				
-8	31103-1 COIL ASSY, IF 3955kc	1	
-9	31069-1 COIL ASSY, IF 455kc	1	

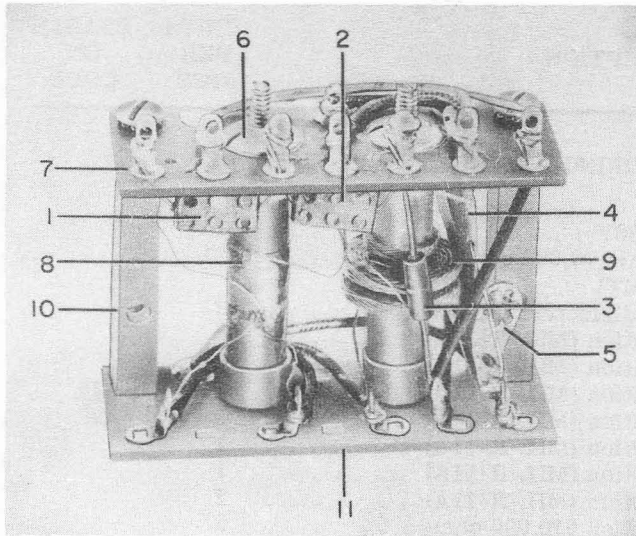


Figure 10. Mixer Plate Coil Assembly

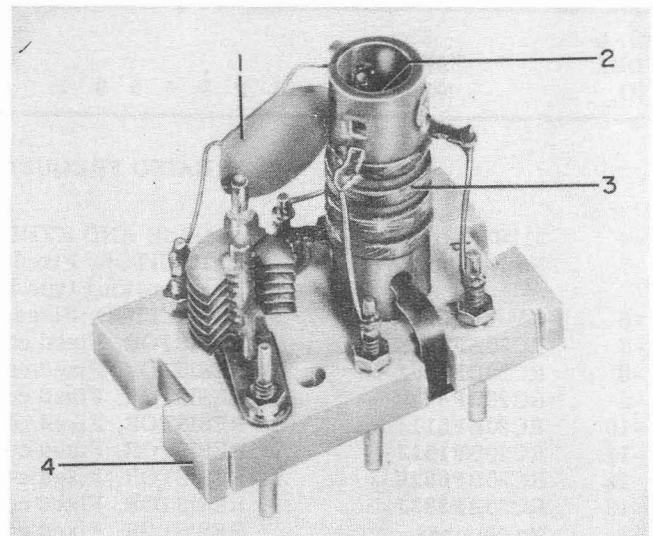


Figure 11. Radio Frequency Input Assembly,
0.54 - 1.35 Mc

FIG. & INDEX NO.	PART NO.	DESCRIPTION	UNITS PER ASSY	USABLE ON CODE
		1 2 3 4 5 6 7		
MIXER PLATE COIL ASSEMBLY (cont)				
(ATTACHING PARTS)				
10-	COMM	. SCREW, Binding hd steel Cd pl No. 6-32 NC-2 x 5/16 in. lg incl external tooth lock washer steel Cd pl 0.270 OD x 0.021 in. thick	2	
	AN936B6	. WASHER	2	
		---*---		
-10	31179-1	. POST	2	
(ATTACHING PARTS)				
	COMM	. SCREW, Binding hd steel Cd pl No. 6-32 NC-2 x 5/16 in. lg incl external tooth lock washer steel Cd pl 0.270 OD x 0.021 in. thick	2	
		---*---		
-11	31182-1	. TERMINAL STRIP AND LUG ASSY	1	
RADIO FREQUENCY INPUT ASSEMBLY 0.54 - 1.35 MC				
11-	31387-1	INPUT ASSY, RF (0.54 - 1.35 mc) (fig. 8-29 for next higher assy)	Ref	
-1	No Number	. CAPACITOR, Fixed ceramic dielectric 10,000 uuf 1000 v DC working type B (RAMT)	1	
-2	D-1	. CORE, Inductance adjuster (CHL)	1	
(ATTACHING PARTS)				
	C7133B-632-012	. NUT, Tension (TIN)	1	
	COMM	. NUT, Hex steel Cd pl No. 6-32 NC-2	1	
		---*---		
-3	31245-1	. TRANSFORMER, RF	1	
(ATTACHING PARTS)				
	31004-1	. SPRING, Coil mounting	2	
		---*---		
-4	31427-1	. TRIMMER AND BASE ASSY	1	

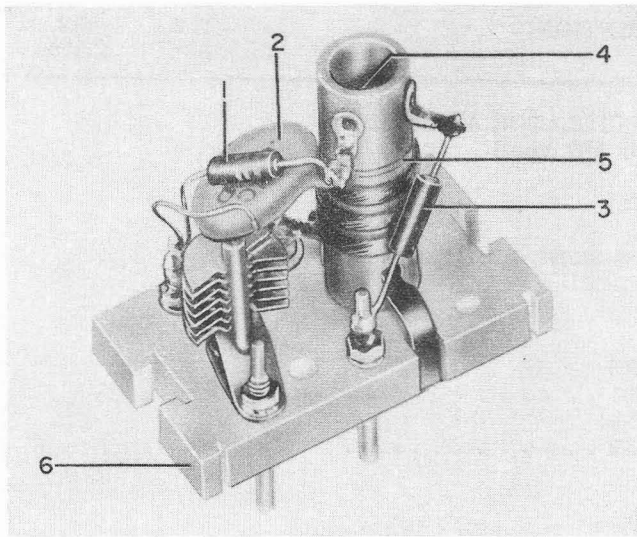


Figure 12. Radio Frequency Transformer Assembly,
0.54 - 1.35 Mc

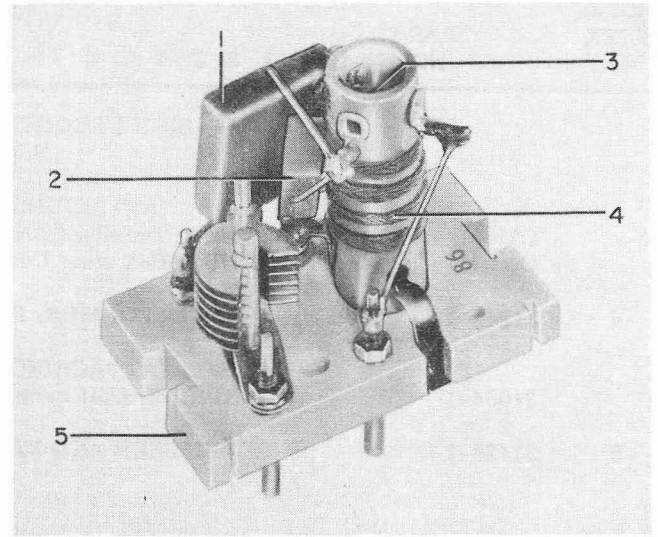


Figure 13. High Frequency Oscillator Assembly,
0.54 - 1.35 Mc

FIG. & INDEX NO.	PART NO.	1	2	3	4	5	6	7	DESCRIPTION	UNITS PER ASSY	USABLE ON CODE
------------------	----------	---	---	---	---	---	---	---	-------------	----------------	----------------

RADIO FREQUENCY TRANSFORMER ASSEMBLY,
0.54 - 1.35 MC

12-	31386-1								TRANSFORMER ASSY, RF (0.54 - 1.35 mc) (see fig. 8-30. . . for next higher assy)	Ref	
-1	RC20BF273K								. RESISTOR, Fixed composition (MIL-R-11A)	1	
-2	No Number								. CAPACITOR, Fixed ceramic dielectric 10,000 uuf 1000 v DC working type B (RAMT)	1	
-3	RC20BF510J								. RESISTOR, Fixed composition (MIL-R-11A)	1	
-4	D-1								. CORE, Inductance adjuster (CHL)	1	
									(ATTACHING PARTS)		
	C7133B-632-012 COMM								. NUT, Tension (TIN)	1	
									. NUT, Hex steel Cd pl No. 6-32 NC-2	1	
									---*---		
-5	31246-1								. TRANSFORMER, RF	1	
									(ATTACHING PARTS)		
	31004-1								. SPRING, Coil mounting	2	
									---*---		
-6	31428-1								. TRIMMER AND BASE ASSY	1	

HIGH FREQUENCY OSCILLATOR ASSEMBLY,
0.54 - 1.35 MC

13-	31385-1								OSCILLATOR ASSY, HF (0.54 - 1.35 mc) (see fig. 8-31 . . . for next higher assy)	Ref	
-1	CM30C332G								. CAPACITOR, Fixed mica dielectric (MIL-C-5A)	1	
-2	No Number								. CAPACITOR, Fixed mica dielectric 404 uuf ± 1% 300 v DC (ELMP)	1	
-3	D-1								. CORE, Inductance adjuster (CHL)	1	

FIG. & INDEX NO.	PART NO.	1	2	3	4	5	6	7	DESCRIPTION	UNITS PER ASSY	USABLE ON CODE
HIGH FREQUENCY OSCILLATOR ASSEMBLY, 0.54 - 1.35 MC (cont)											
(ATTACHING PARTS)											
13-	C7133B-632-012 COMM	.							NUT, Tension (TIN)	1	
		.							NUT, Hex steel Cd pl No. 6-32 NC-2	1	
		----	*	----							
-4	31244-1	.							TRANSFORMER, RF.	1	
(ATTACHING PARTS)											
	31004-1	.							SPRING, Coil mounting	2	
		----	*	----							
-5	31428-1	.							TRIMMER AND BASE ASSY	1	
RADIO FREQUENCY INPUT ASSEMBLY 1.35 - 3.45 MC											
14-	31390-1								INPUT ASSY, RF (1.35 - 3.45 mc) (see fig. 8-32	Ref	
									for next higher assy)		
-1	No Number	.							CAPACITOR, Fixed ceramic dielectric 10,000 uuf	1	
									1000 v DC working type B (RAMT)		
-2	D-1	.							CORE, Inductance adjuster (CHL)	1	
(ATTACHING PARTS)											
	C7133B-632-012 COMM	.							NUT, Tension (TIN)	1	
		.							NUT, Hex steel Cd pl No. 6-32 NC-2	1	
		----	*	----							
-3	31249-1	.							TRANSFORMER, RF.	1	
(ATTACHING PARTS)											
	31004-1	.							SPRING, Coil mounting	2	
		----	*	----							
-4	31427-1	.							TRIMMER AND BASE ASSY	1	

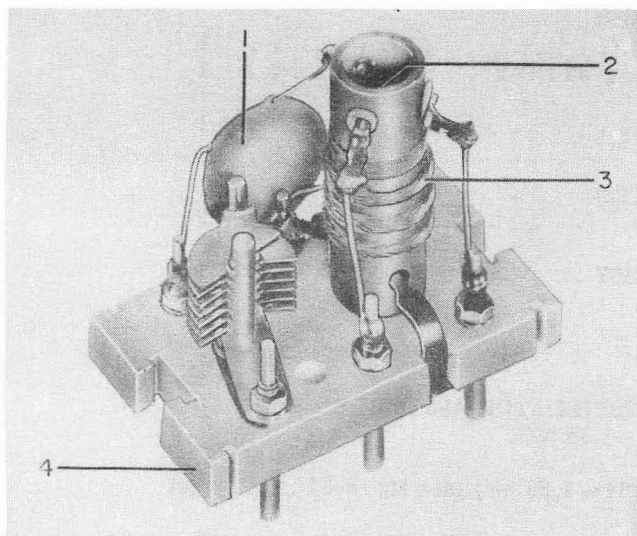


Figure 14. Radio Frequency Input Assembly,
1.35 - 3.45 Mc

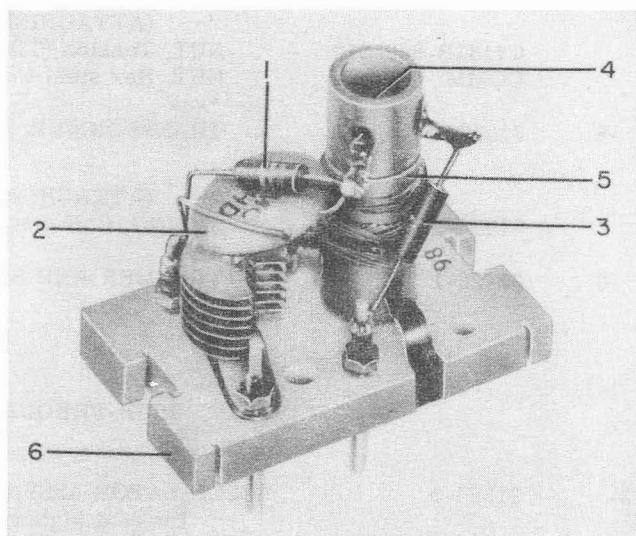


Figure 15. Radio Frequency Transformer Assembly,
1.35 - 3.45 Mc

FIG. & INDEX NO.	PART NO.	DESCRIPTION	UNITS PER ASSY	USABLE ON CODE
RADIO FREQUENCY TRANSFORMER ASSEMBLY, 1.35 - 3.45 MC				
15-	31389-1	TRANSFORMER ASSY, RF (1.35 - 3.45 mc) (see fig. 8-33. for next higher assy)	Ref	
-1	RC20BF273K	. RESISTOR, Fixed composition (MIL-R-11A)	1	
-2	No Number	. CAPACITOR, Fixed ceramic dielectric 10,000 uuf 1000 v DC working type B (RAMT)	1	
-3	RC20BF510J	. RESISTOR, Fixed composition (MIL-R-11A)	1	
-4	D-1	. CORE, Inductance adjuster (CHL)	1	
		(ATTACHING PARTS)		
	C7133B-632-012 COMM	. NUT, Tension (TIN) NUT, Hex steel Cd pl No. 6-32 NC-2	1 1	
		---*---		
-5	31250-1	. TRANSFORMER, RF	1	
		(ATTACHING PARTS)		
	31004-1	. SPRING, Coil mounting	2	
		---*---		
-6	31428-1	. TRIMMER AND BASE ASSY	1	
HIGH FREQUENCY OSCILLATOR ASSEMBLY 1.35 - 3.45 MC				
16-	31388-1	OSCILLATOR ASSY, HF (1.35 - 3.45 mc) (see fig. 8-34 for next higher assy)	Ref	
-1	No Number	. CAPACITOR, Fixed mica dielectric 810 uuf ± 1% 500 v DC (ELMP)	1	
-2	D-1	. CORE, Inductance adjuster (CHL)	1	
		(ATTACHING PARTS)		
	C7133B-632-012 COMM	. NUT, Tension (TIN) NUT, Hex steel Cd pl No. 6-32 NC-2	1 1	
		---*---		
-3	31248-1	. TRANSFORMER, RF	1	
		(ATTACHING PARTS)		
	31004-1	. SPRING, Coil mounting	2	
		---*---		
-4	31430-1	. TRIMMER AND BASE ASSY	1	

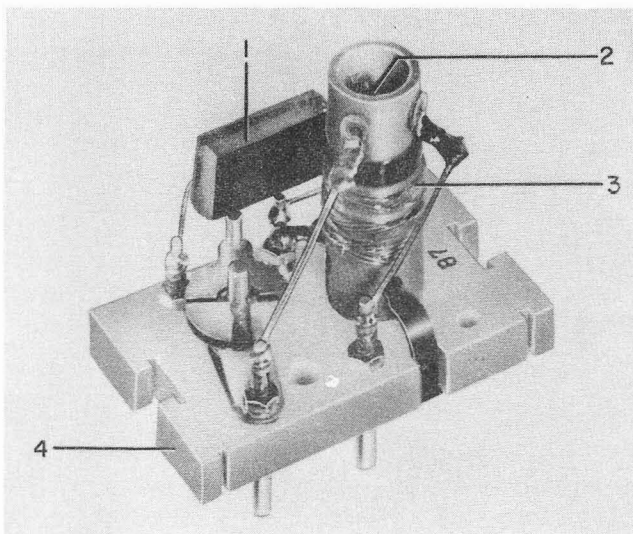


Figure 16. High Frequency Oscillator Assembly,
1.35 - 3.45 Mc

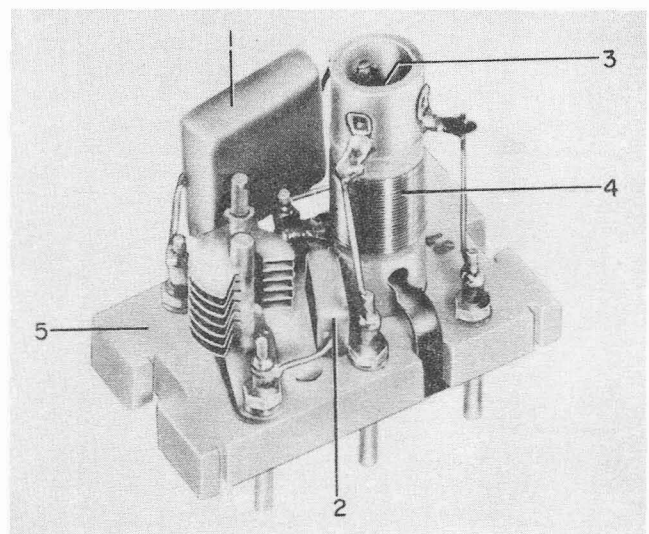


Figure 17. Radio Frequency Input Assembly,
3.45 - 7.4 Mc

FIG. & INDEX NO.	PART NO.	DESCRIPTION							UNITS PER ASSY	USABLE ON CODE
		1	2	3	4	5	6	7		
RADIO FREQUENCY INPUT ASSEMBLY, 3.45 - 7.4 MC										
17-	31393-1	INPUT ASSY, RF (3.45 - 7.4 mc) (see fig. 8-35 for next higher assy)							Ref	
-1	CM30C242J	. CAPACITOR, Fixed mica dielectric (MIL-C-5A)							1	
-2	CM15C200J	. CAPACITOR, Fixed mica dielectric (MIL-C-5A)							1	
-3	D-1	. CORE, Inductance adjuster (CHL)							1	
(ATTACHING PARTS)										
	C7133B-632-012 COMM	. NUT, Tension (TIN)							1	
		. NUT, Hex steel Cd pl No. 6-32 NC-2							1	
		---*---								
-4	31252-1	. TRANSFORMER, RF							1	
(ATTACHING PARTS)										
	31004-1	. SPRING, Coil mounting							2	
		---*---								
-5	31427-1	. TRIMMER AND BASE ASSY							1	

**RADIO FREQUENCY TRANSFORMER ASSEMBLY,
3.45 - 7.4 MC**

18-	31392-1	TRANSFORMER ASSY, RF (3.45 - 7.4 mc) (see fig. 8-36 for next higher assy)							Ref	
-1	RC20BF273K	. RESISTOR, Fixed composition (MIL-R-11A)							1	
-2	CM30C242J	. CAPACITOR, Fixed mica dielectric (MIL-C-5A)							1	

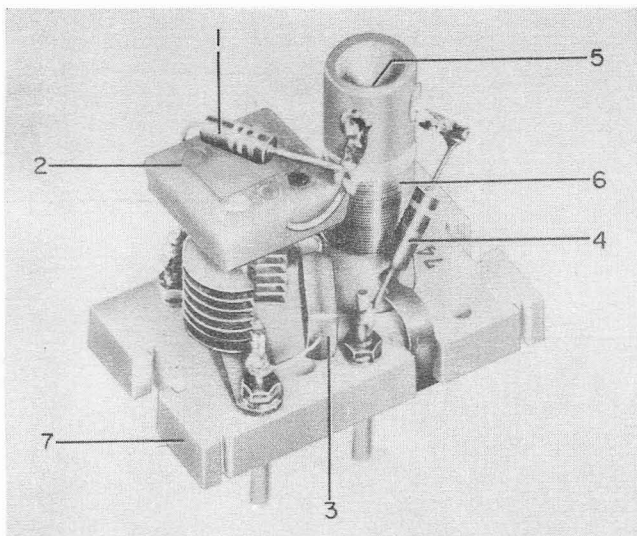


Figure 18. Radio Frequency Transformer Assembly,
3.45 - 7.4 Mc

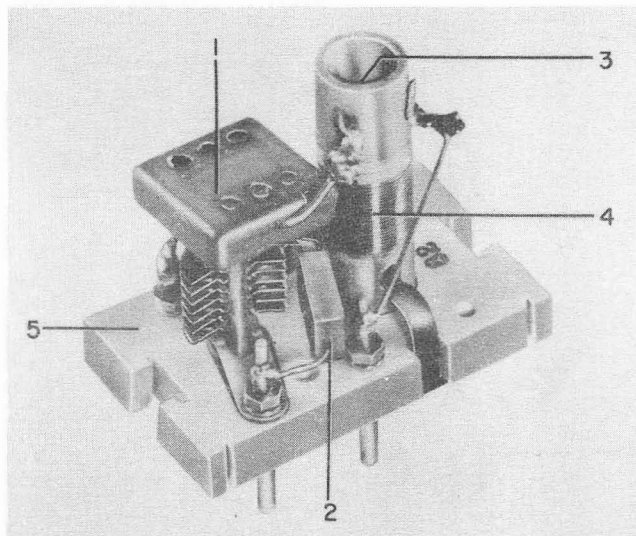


Figure 19. High Frequency Oscillator Assembly,
3.45 - 7.4 Mc

FIG. & INDEX NO.	PART NO.	DESCRIPTION	UNITS PER ASSY	USABLE ON CODE		
					1	2
RADIO FREQUENCY TRANSFORMER ASSEMBLY, 3.45 - 7.4 MC (cont)						
18-3	CM15C200J	. CAPACITOR, Fixed mica dielectric (MIL-C-5A)	1			
-4	RC20BF240J	. RESISTOR, Fixed composition (MIL-R-11A)	1			
-5	D-1	. CORE, Inductance adjuster (CHL)	1			
(ATTACHING PARTS)						
	C7133B-632-012 COMM	. NUT, Tension (TIN)	1			
		. NUT, Hex steel Cd pl No. 6-32 NC-2	1			
		---*---				
-6	31253-1	. TRANSFORMER, RF	1			
(ATTACHING PARTS)						
	31004-1	. SPRING, Coil mounting	2			
		---*---				
-7	31428-1	. TRIMMER AND BASE ASSY	1			
HIGH FREQUENCY OSCILLATOR ASSEMBLY, 3.45 - 7.4 MC						
19-	31391-1	OSCILLATOR ASSY, JF (3.45 - 7.4 mc) (see fig. 8-37. for next higher assy)	Ref			
-1	CM30C122G	. CAPACITOR, Fixed mica dielectric (MIL-C-5A)	1			
-2	CM15B100K	. CAPACITOR, Fixed mica dielectric (MIL-C-5A)	1			
-3	D-1	. CORE, Inductance adjuster (CHL)	1			
(ATTACHING PARTS)						
	C7133B-632-012 COMM	. NUT, Tension (TIN)	1			
		. NUT, Hex steel Cd pl No. 6-32 NC-2	1			
		---*---				
-4	31251-1	. TRANSFORMER, RF	1			
(ATTACHING PARTS)						
	31004-1	. SPRING, Coil mounting	2			
		---*---				
-5	31428-1	. TRIMMER AND BASE ASSY	1			
RADIO FREQUENCY INPUT ASSEMBLY, 7.4 - 14.8 MC						
20-	31396-1	INPUT ASSY, RF (7.4 - 14.8 mc) (see fig. 8-38 for next higher assy)	Ref			
-1	CM30C152G	. CAPACITOR, Fixed mica dielectric (MIL-C-5A)	1			
-2	CM15C330J	. CAPACITOR, Fixed mica dielectric (MIL-C-5A)	1			
-3	D-1	. CORE, Inductance adjuster (CHL)	1			

FIG. & INDEX NO.	PART NO.	1	2	3	4	5	6	7	DESCRIPTION	UNITS PER ASSY	USABLE ON CODE
RADIO FREQUENCY INPUT ASSEMBLY, 7.4 - 14.8 MC (cont)											
(ATTACHING PARTS)											
20-	C7133B-632-012 COMM	.	NUT, Tension (TIN)		1	
		.	NUT, Hex steel Cd pl No. 6-32 NC-2		1	
		---	*---								
-4	31255-1	.	TRANSFORMER, RF		1	
(ATTACHING PARTS)											
	31004-1	.	SPRING, Coil mounting		2	
		---	*---								
-5	31427-1	.	TRIMMER AND BASE ASSY		1	
RADIO FREQUENCY TRANSFORMER ASSEMBLY, 7.4 - 14.8 MC											
21-	31395-1		TRANSFORMER ASSY, RF (7.4 - 14.8 mc) (see fig. 8-39 . . . for next higher assy)							Ref	
-1	RC20BF273K	.	RESISTOR, Fixed composition		1	
-2	CM30C152G	.	CAPACITOR, Fixed mica dielectric (MIL-C-5A)		1	
-3	CM15C330J	.	CAPACITOR, Fixed mica dielectric (MIL-C-5A)		1	
-4	RC20BF220K	.	RESISTOR, Fixed composition (MIL-R-11A)		1	
-5	D-1	.	CORE, Inductance adjuster (CHL)		1	
(ATTACHING PARTS)											
	C7133B-632-012 COMM	.	NUT, Tension (TIN)		1	
		.	NUT, Hex steel Cd pl No. 6-32 NC-2		1	
		---	*---								
-6	31256-1	.	TRANSFORMER, RF		1	
(ATTACHING PARTS)											
	31004-1	.	SPRING, Coil mounting		2	
		---	*---								
-7	31428-1	.	TRIMMER AND BASE ASSY		1	

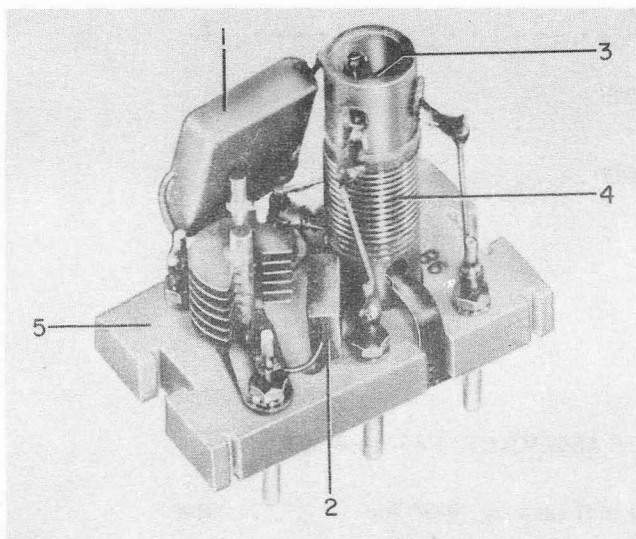


Figure 20. Radio Frequency Input Assembly,
7.4 - 14.8 Mc

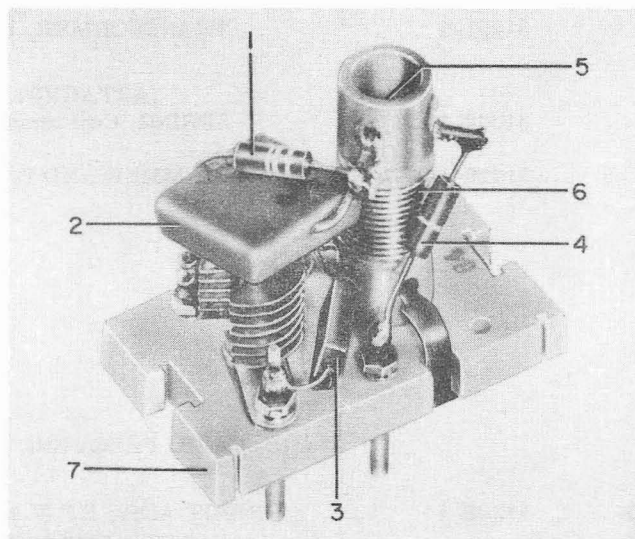


Figure 21. Radio Frequency Transformer Assembly,
7.4 - 14.8 Mc

FIG. & INDEX NO.	PART NO.	DESCRIPTION							UNITS PER ASSY	USABLE ON CODE
		1	2	3	4	5	6	7		
HIGH FREQUENCY OSCILLATOR ASSEMBLY, 7.4 - 14.8 MC										
22-	31394-1	OSCILLATOR ASSY, HF (7.4 - 14.8 mc) (see fig. 8-40 for next higher assy)							Ref	
-1	CM15C121G	. CAPACITOR, Fixed mica dielectric (MIL-C-5A)							1	
-2	CC21UJ120J	. CAPACITOR, Fixed ceramic dielectric (MIL-C-20A)							1	
-3	No Number	. CAPACITOR, Fixed mica dielectric 190 uuf ± 1%							1	
-4	D-1	. CORE, Inductance adjuster (CHL)							1	
(ATTACHING PARTS)										
	C7133B-632-012	. NUT, Tension (TIN)							1	
	COMM	. NUT, Hex steel Cd pl No. 6-32 NC-2							1	
----*----										
-5	31254-1	. COIL, RF							1	
(ATTACHING PARTS)										
	31004-1	. SPRING, Coil mounting							2	
----*----										
-6	31430-1	. TRIMMER AND BASE ASSY							1	
RADIO FREQUENCY INPUT ASSEMBLY, 14.8 - 29.7 MC										
23-	31399-1	INPUT ASSY, RF (14.8 - 29.7 mc) (see fig. 8-41 for next higher assy)							Ref	
-1	CM30C102G	. CAPACITOR, Fixed mica dielectric (MIL-C-5A)							1	
-2	CC20CJ070F	. CAPACITOR, Fixed ceramic dielectric (MIL-C-20A)							1	
-3	D-1	. CORE, Inductance adjuster (CHL)							1	
(ATTACHING PARTS)										
	C7133B-632-012	. NUT, Tension (TIN)							1	
	COMM	. NUT, Hex steel Cd pl No. 6-32 NC-2							1	
----*----										

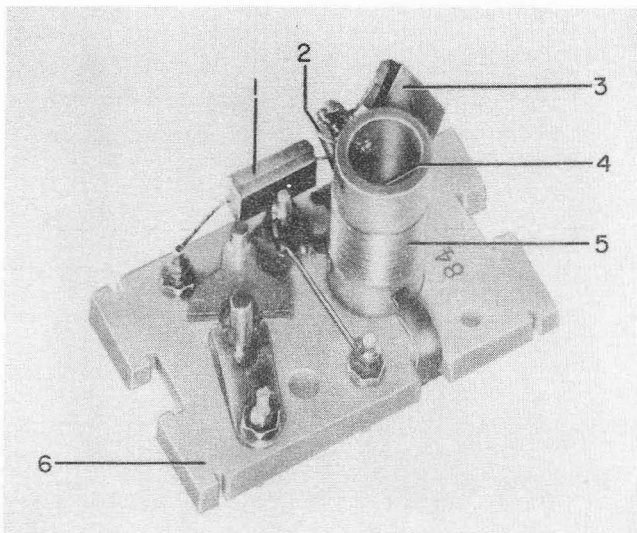


Figure 22. High Frequency Oscillator Assembly,
7.4 - 14.8 Mc

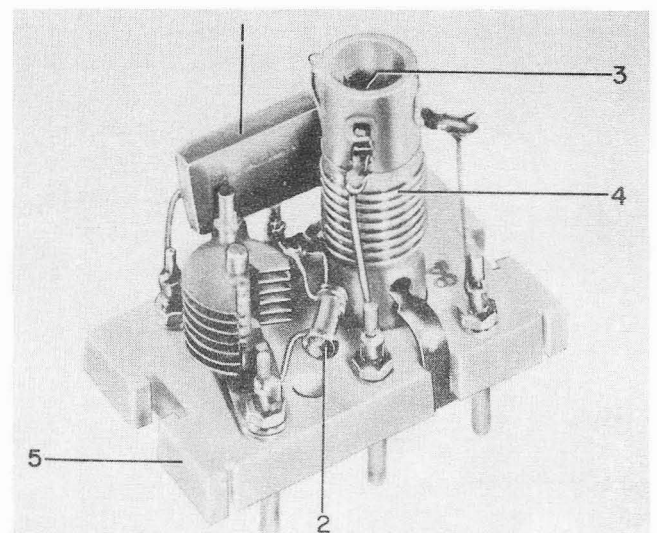


Figure 23. Radio Frequency Input Assembly,
14.8 - 29.7 Mc

FIG. & INDEX NO.	PART NO.	1	2	3	4	5	6	7	DESCRIPTION	UNITS PER ASSY	USABLE ON CODE
RADIO FREQUENCY INPUT ASSEMBLY, 14.8 - 29.7 MC (cont)											
23-4	31258-1	.							TRANSFORMER, RF	1	
									(ATTACHING PARTS)		
	31004-1	.							SPRING, Coil mounting	2	
									-----*		
-5	31429-1	.							TRIMMER AND BASE ASSY	1	
RADIO FREQUENCY TRANSFORMER ASSEMBLY, 14.8 - 29.7 MC											
24-	31398-1								TRANSFORMER ASSY, RF (14.8 - 29.7 mc) (see fig.	Ref	
									8-42 for next higher assy)		
-1	CM15C101G	.							CAPACITOR, Fixed mica dielectric (MIL-C-5A)	1	
-2	D-1	.							CORE, Inductance adjuster (CHL)	1	
									(ATTACHING PARTS)		
	C7133B-632-012 COMM	.							NUT, Tension (TIN)	1	
		.							NUT, Hex steel Cd pl No. 6-32 NC-2	1	
									-----*		
-3	31259-1	.							TRANSFORMER, RF	1	
									(ATTACHING PARTS)		
	31004-1	.							SPRING, Coil mounting	2	
									-----*		
-4	31428-1	.							TRIMMER AND BASE ASSY	1	
HIGH FREQUENCY OSCILLATOR ASSEMBLY, 14.8 - 29.7 MC											
25-	31397-1								OSCILLATOR ASSY, HF (14.8 - 29.7 mc) (see fig. 8-43 . . .	Ref	
									for next higher assy)		
-1	CM20C101G	.							CAPACITOR, Fixed mica dielectric (MIL-C-5A)	1	
-2	CC21UJ510F	.							CAPACITOR, Fixed ceramic dielectric (MIL-C-20A)	1	

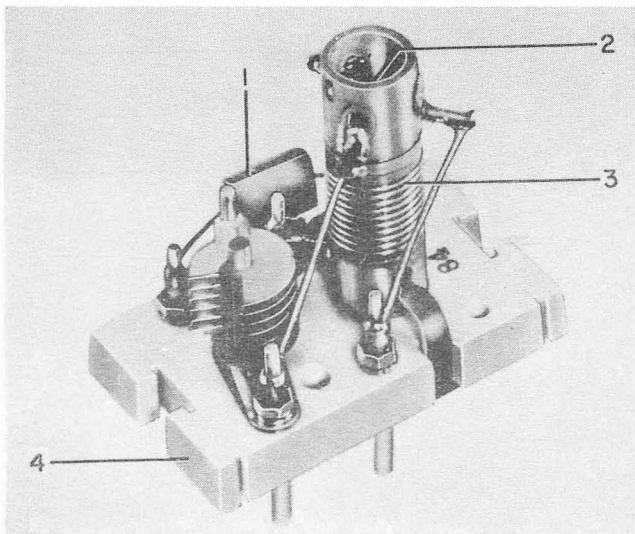


Figure 24. Radio Frequency Transformer Assembly,
14.8 - 29.7 Mc

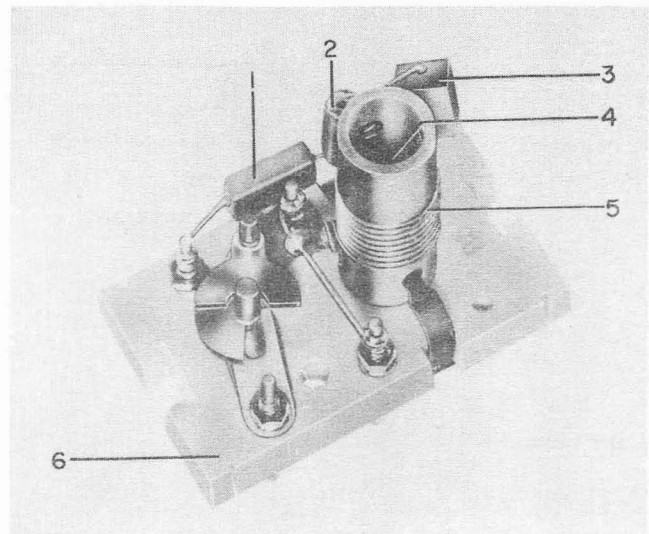


Figure 25. High Frequency Oscillator Assembly,
14.8 - 29.7 Mc

FIG. & INDEX NO.	PART NO.	DESCRIPTION	UNITS	USABLE
			PER ASSY	ON CODE
HIGH FREQUENCY OSCILLATOR ASSEMBLY, 14.8 - 29.7 MC (cont)				
25-3	No Number	. CAPACITOR, Fixed mica dielectric 379 uuf ± 1%	1	
		500 v DC (ELMP)		
-4	D-1	. CORE, Inductance adjuster (CHL)	1	
		(ATTACHING PARTS)		
	C7133B-632-012	. NUT, Tension (TIN)	1	
	COMM	. NUT, Hex steel Cd pl No. 6-32 NC-2	1	
		---*---		
-5	31257-1	. COIL, RF	1	
		(ATTACHING PARTS)		
	31004-1	. SPRING, Coil mounting	2	
		---*---		
-6	31430-1	. TRIMMER AND BASE ASSY	1	
RADIO FREQUENCY INPUT ASSEMBLY, 29.7 - 54.0 MC				
26-	31405-1	INPUT ASSY, RF (29.7 - 54.0 mc) (see fig. 8-44 for	Ref	
		next higher assy)		
-1	CM30C152G	. CAPACITOR, Fixed mica dielectric (MIL-C-5A)	1	
-2	CC20HJ150J	. CAPACITOR, Fixed ceramic dielectric (MIL-C-20A)	1	
-3	D-1	. CORE, Inductance adjuster (CHL)	1	
		(ATTACHING PARTS)		
	C7133B-632-012	. NUT, Tension (TIN)	1	
	COMM	. NUT, Hex steel Cd pl No. 6-32 NC-2	1	
		---*---		
-4	31261-1	. TRANSFORMER, RF	1	
		(ATTACHING PARTS)		
	31004-1	. SPRING, Coil mounting	2	
		---*---		
-5	31429-1	. TRIMMER AND BASE ASSY	1	

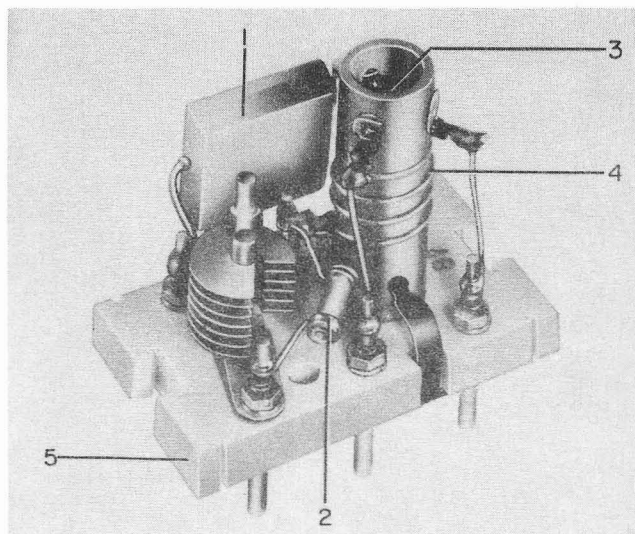


Figure 26. Radio Frequency Input Assembly,
29.7 - 54.0 Mc

FIG. & INDEX NO.	PART NO.	DESCRIPTION							UNITS PER ASSY	USABLE ON CODE
		1	2	3	4	5	6	7		
RADIO FREQUENCY TRANSFORMER ASSEMBLY 29.7 - 54.0 MC										
27-	31404-1	TRANSFORMER ASSY, RF (29.7 - 54.0 mc) (see fig.							Ref	
		8-45 for next higher assy)								
-1	CM15C510G	. CAPACITOR, Fixed mica dielectric (MIL-C-5A)							1	
-2	D-1	. CORE, Inductance adjuster (CHL)							1	
		(ATTACHING PARTS)								
	C7133B-632-012	. NUT, Tension (TIN)							1	
	COMM	. NUT, Hex steel Cd pl No. 6-32 NC-2							1	
		---*---								
-3	31262-1	. TRANSFORMER, RF							1	
		(ATTACHING PARTS)								
	31004-1	. SPRING, Coil mounting							2	
		---*---								
-4	31428-1	. TRIMMER AND BASE ASSY							1	
HIGH FREQUENCY OSCILLATOR ASSEMBLY, 29.7 - 54.0 MC										
28-	31403-1	OSCILLATOR ASSY, HF 29.7 - 54.0 mc (see fig. 8-46.							Ref	
		for next higher assy)								
-1	CM20C510G	. CAPACITOR, Fixed mica dielectric (MIL-C-5A)							1	
-2	CM20C611G	. CAPACITOR, Fixed mica dielectric (MIL-C-5A)							1	
-3	D-1	. CORE, Inductance adjuster (CHL)							1	
		(ATTACHING PARTS)								
	C7133B-632-012	. NUT, Tension (TIN)							1	
	COMM	. NUT, Hex steel Cd pl No. 6-32 NC-2							1	
		---*---								
-4	31260-1	. COIL, RF							1	
		(ATTACHING PARTS)								
	31004-1	. SPRING, Coil mounting							2	
		---*---								
-5	31430-1	. TRIMMER AND BASE ASSY							1	

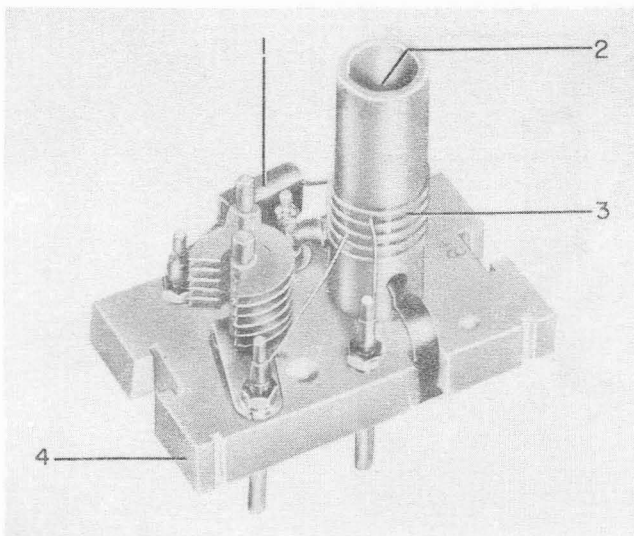


Figure 27. Radio Frequency Transformer Assembly,
29.7 - 54.0 Mc

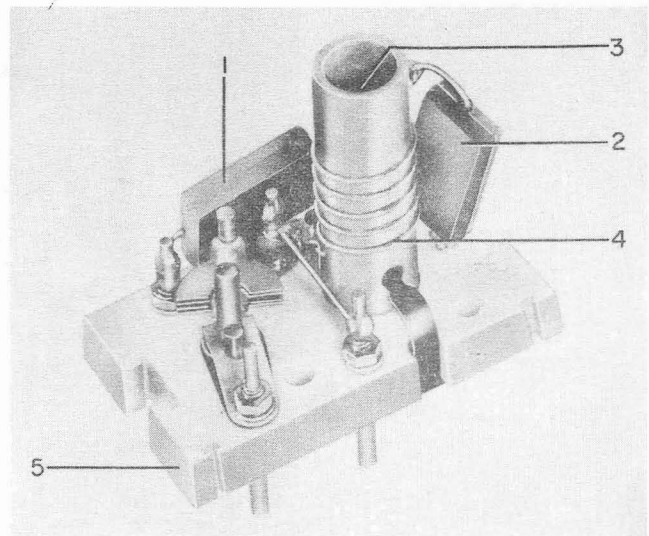


Figure 28. High Frequency Oscillator Assembly,
29.7 - 54.0 Mc

FIG. & INDEX NO.	PART NO.	DESCRIPTION	UNITS PER ASSY	USABLE ON CODE
		1 2 3 4 5 6 7		
GEAR TRAIN ASSEMBLY				
29-	31291-1	GEAR TRAIN ASSY (see fig. 8-50 for next higher assy) . . .	Ref	
-1	31201-1	. CAM AND HUB ASSY (incl 2 AN565D8H3 screws)	1	
-2	31126-1	. SPRING, Slide	1	
-3	31202-1	. SLIDE AND ROLLER ASSY	1	
(ATTACHING PARTS)				
-4	COMM	. SCREW, Binding hd steel Cd pl No. 4-40 NC-2 x 1/4 in. lg incl external tooth lock washer steel Cd pl 0.254 OD x 0.019 in. thick	4	
-5	31189-1	. SPACER	4	
---*---				
-6	31205-1	. SPRING, Detent	2	
-7	31177-1	. LEVER AND ROLLER ASSY	1	
-8	31050-1	. PLATE, Bearing	1	
(ATTACHING PARTS)				
-9	COMM	. SCREW, Binding hd steel Cd pl No. 10-32 NF-2 x 1/2 in. lg incl external tooth lock washer steel Cd pl 0.408 OD x 0.024 in. thick	1	
-10	COMM	. SCREW, Binding hd steel Cd pl No. 8-32 NC-2 x 5/16 in. lg incl external tooth lock washer steel Cd pl 0.317 OD x 0.021 in. thick	2	
---*---				
-11	31173-1	. CAM AND HUB ASSY (incl 2 AN565D8H4 screws)	1	
-12	31052-1	. SHAFT AND GEAR ASSY	1	
-13	31169-1	. FLYWHEEL AND SHAFT ASSY	1	
-14	31164-1	. IDLER	1	
-15	1003-6	. SCREW, Rear bearing	1	
(ATTACHING PARTS)				
-16	COMM	. NUT, Hex steel Cd pl 1/4 in. - 32 NEF-2	1	
---*---				
-17	10027-13	. BALL, Bearing	1	
-18	31047-1	. PLATE, Bearing	1	
(ATTACHING PARTS)				
-19	COMM	. SCREW, Binding hd steel Cd pl No. 10-32 NF-2 x 1/2 in. lg incl external tooth lock washer steel Cd pl 0.408 OD x 0.024 in. thick	2	
---*---				
	31288-1	. SHAFT GEAR AND HUB ASSY	1	
(ATTACHING PARTS)				
-20	COMM	. SCREW, Binding hd steel Cd pl No. 6-32 NC-2 x 3/8 in. lg incl external tooth lock washer steel Cd pl 0.270 OD x 0.021 in. thick	3	
---*---				
-21	31064-1	. HUB	1	
(ATTACHING PARTS)				
-22	WA512	. RING, Retaining (NL)	1	
---*---				
-23	31051-1	. SHAFT AND GEAR ASSY	1	
-24	31059-1	. POST	3	
(ATTACHING PARTS)				
-25	COMM	. SCREW, Binding hd steel Cd pl No. 10-32 NF-2 x 1/2 in. lg incl external tooth lock washer steel Cd pl 0.408 OD x 0.024 in. thick	3	
---*---				

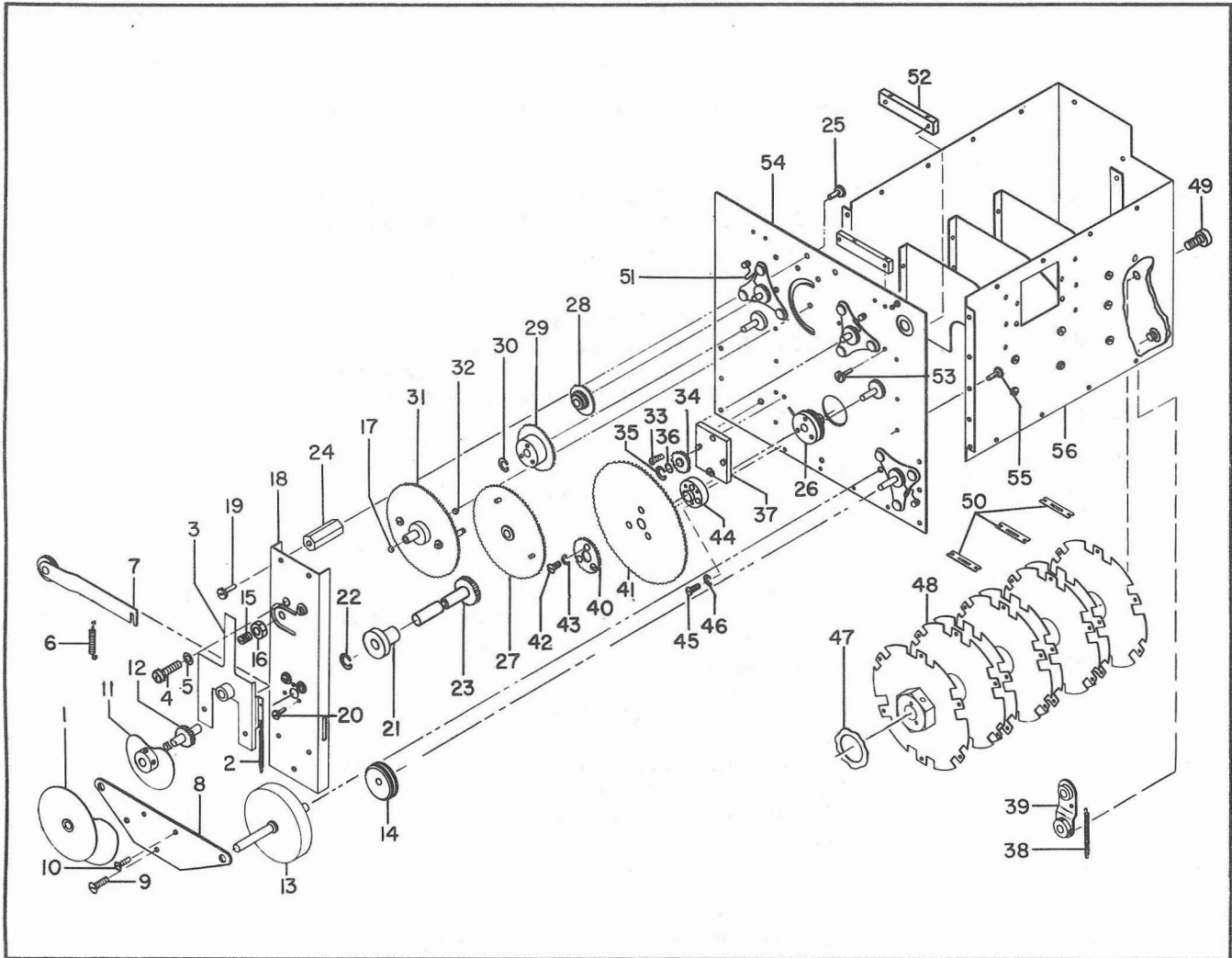


Figure 29. Gear Train Assembly

FIG. & INDEX NO.	PART NO.	DESCRIPTION	UNITS PER ASSY	USABLE ON CODE
------------------	----------	-------------	----------------	----------------

GEAR TRAIN ASSEMBLY (cont)

29-26	31095-1	. DIAL HUB AND GEAR ASSY, Band spread	1	
-27	31098-1	. GEAR AND HUB ASSY	1	
-28	31096-1	. GEAR AND HUB ASSY	1	
-29	31097-1	. HUB AND GEAR ASSY, Main dial	1	
(ATTACHING PARTS)				
-30	WA510	. RING, Retaining (NL)	4	
---*---				
-31	31150-1	. GEAR AND DRIVE PIN ASSY	1	
-32	10027-13	. BALL, Bearing	1	
	31287-1	. PLATE ASSY, Gear	1	
(ATTACHING PARTS)				
-33	COMM	. SCREW, Binding hd steel Cd pl No. 6-32 NC-2 x 3/8 in. lg incl external tooth lock washer steel Cd pl 0.270 OD x 0.021 in. thick	2	
---*---				
-34	31039-1	. . GEAR	2	

FIG. & INDEX NO.	PART NO.	DESCRIPTION	UNITS PER ASSY	USABLE ON CODE
		1 2 3 4 5 6 7		
GEAR TRAIN ASSEMBLY (cont)				
(ATTACHING PARTS)				
29-35	WA512	. . RING, Retaining (NL)	2	
-36	COMM	. . WASHER, Flat steel Cd pl 9/16 OD x 17/64 ID x 3/64 in. thick	2	
---*---				
-37	31170-1	. . PLATE AND PIN ASSY	1	
-38	31125-1	. SPRING, Switch	1	
-39	31198-1	. LEVER ASSY (incl 2 AN565D8H3 screws)	1	
-40	31037-1	. GEAR	1	
-41	31036-1	. GEAR	1	
(ATTACHING PARTS)				
-42	AN515-8-10	. SCREW	3	
-43	COMM	. WASHER, Spring lock P bronze Cd pl No. 8. x 0.280 OD x 0.047 in. thick (NL)	3	
---*---				
-44	31063-1	. HUB	1	
(ATTACHING PARTS)				
-45	AN515-8-10	. SCREW	3	
-46	COMM	. WASHER, Spring lock P bronze Cd pl No. 8. x 0.280 OD x 0.047 in. thick (NL)	3	
---*---				
-47	31277-1	. WASHER, Wavy	1	
-48	31137-1	. MOUNTING DISC AND SHAFT ASSY (see fig. 30 for breakdown)	1	
(ATTACHING PARTS)				
-49	COMM	. SCREW, Hex socket hd cap steel Cd pl 1/4 in. -28 x NF-2 x 1/4 in. lg	1	
---*---				
-50	31279-1	. SPRING, Contact	3	
-51	31239-1	. SPRING, Spider	3	
-52	31085-1	. PLATE, Nut	1	
(ATTACHING PARTS)				
-53	COMM	. SCREW, Rd hd steel Cd pl No. 6-32 NC-2 x 7/16 in. lg incl external tooth lock washer steel Cd pl 0.270 OD x 0.021 in. thick	2	
---*---				
-54	31166-1	. BASE PLATE AND SPIDER ASSY	1	
(ATTACHING PARTS)				
-55	COMM	. SCREW, Binding hd steel Cd pl No. 6-32 NC-2 x 1/4 in. lg incl external tooth lock washer steel Cd pl 0.270 OD x 0.021 in. thick	10	
---*---				
-56	31285-1	. SHIELD ASSY, Tuning unit (see fig. 31 for breakdown)	1	
MOUNTING DISC AND SHAFT ASSEMBLY				
30-	31137-1	MOUNTING DISC AND SHAFT ASSY (see fig. 29-48 for next higher assy)	Ref	
-1	31078-2	. NUT, Spacer	1	
(ATTACHING PARTS)				
-2	AN565D8H6	. SCREW	1	
---*---				

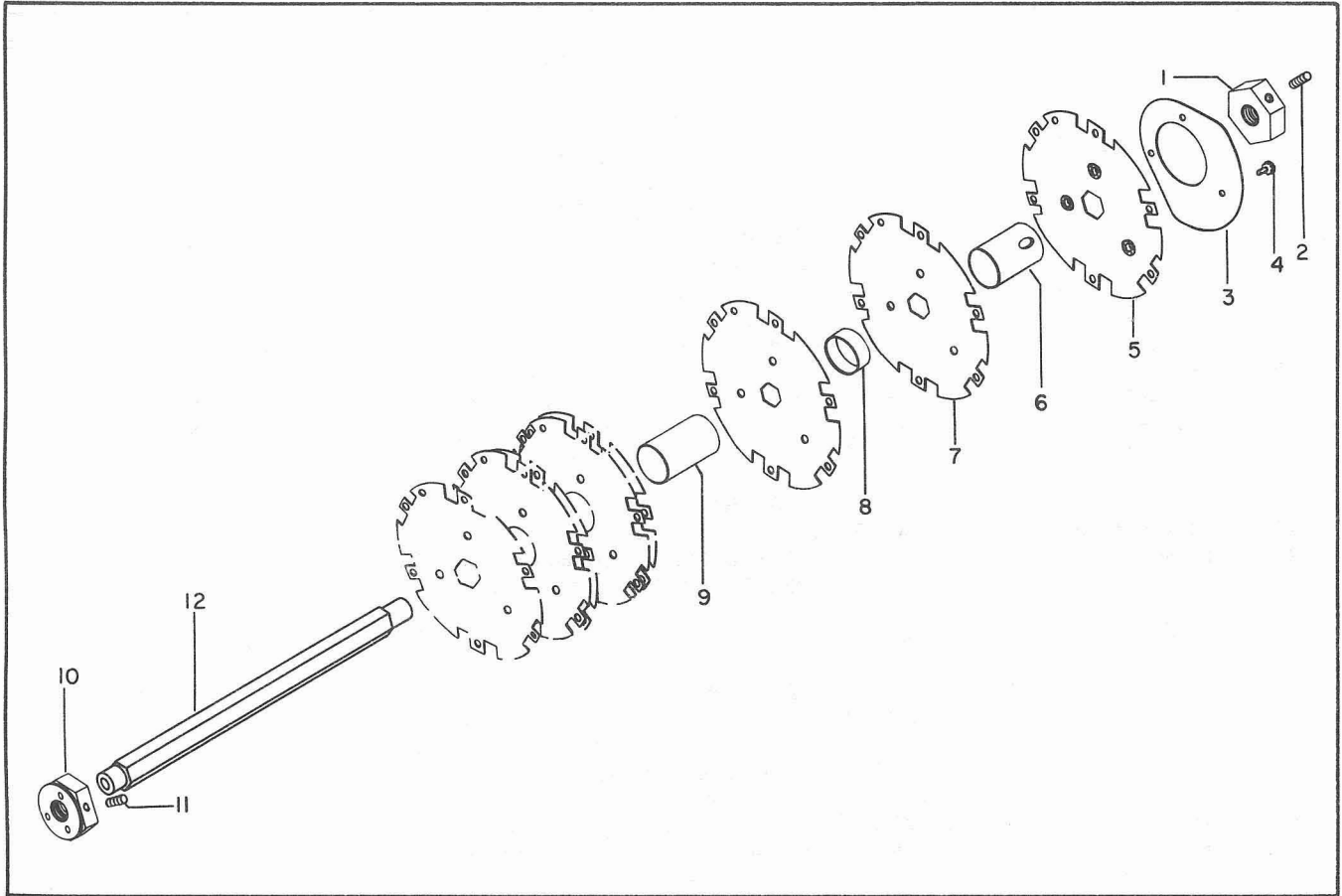


Figure 30. Mounting Disc and Shaft Assembly

FIG. & INDEX NO.	PART NO.	DESCRIPTION	UNITS PER ASSY	USABLE ON CODE
		1 2 3 4 5 6 7		
MOUNTING DISC AND SHAFT ASSEMBLY (cont)				
30-3	31192-1	. CAM	1	
		(ATTACHING PARTS)		
-4	COMM	. SCREW, Binding hd steel Cd pl No. 4-40 NC-2 x 1/4 . . . in. lg incl external tooth lock washer steel Cd pl 0.254 OD x 0.019 in. thick	3	
		---*---		
-5	31204-1	. MOUNTING DISC AND SPACER ASSY.	1	
-6	31066-1	. TUBING	1	
-7	31002-1	. DISC, Mounting	7	
-8	31065-2	. TUBING	3	
-9	31065-1	. TUBING	3	
-10	31078-1	. NUT, Spacer	1	
		(ATTACHING PARTS)		
-11	AN565D8H6	. SCREW	1	
		---*---		
-12	31077-1	. SHAFT, Hex	1	

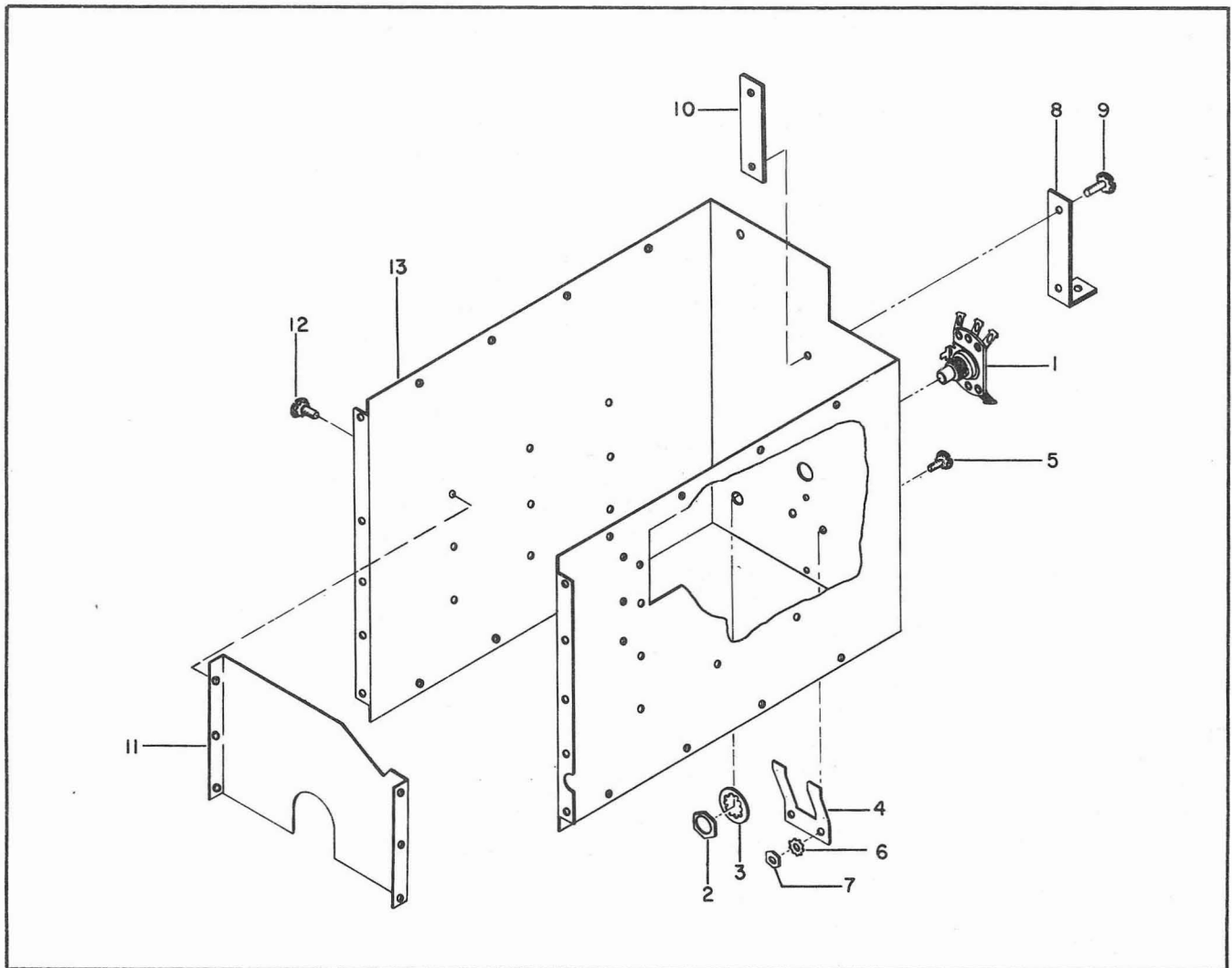


Figure 31. Tuning Unit Shield Assembly

FIG. & INDEX NO.	PART NO.	DESCRIPTION	UNITS PER ASSY	USABLE ON CODE
		1 2 3 4 5 6 7		
TUNING UNIT SHIELD ASSEMBLY				
31-	31285-1	SHIELD ASSY, Tuning unit (see fig. 29-56 for next higher assy)	Ref	
-1	15862-1	. SWITCH, Rotary spdt (similar to OAK type 23)	1	
		(ATTACHING PARTS)		
-2	COMM	. NUT, Hex steel Cd pl 3/8 in. - 32 NEF-2	1	
-3	AN936A616	. WASHER	1	
		-----*		
-4	31278-1	. SPRING, Contact	1	
		(ATTACHING PARTS)		
-5	COMM	. SCREW, Binding hd steel Cd pl No. 6-32 NC-2 x 5/16 in. lg incl external tooth lock washer steel Cd pl 0.270 OD x 0.021 in. thick	2	
-6	AN936B6	. WASHER	2	
-7	COMM	. NUT, Hex steel Cd pl No. 6-32 NC-2	2	
		-----*		

FIG. & INDEX NO.	PART NO.	1	2	3	4	5	6	7	DESCRIPTION	UNITS PER ASSY	USABLE ON CODE
TUNING UNIT SHIELD ASSEMBLY (cont)											
31-8	31144-1	.							BRACKET	1	
(ATTACHING PARTS)											
-9	COMM	.							SCREW, Binding hd steel Cd pl No. 10-32 NF x 3/8 in. lg incl external tooth lock washer steel Cd pl 0.408 OD x 0.024 in. thick	2	
---*---											
-10	31142-1	.							PLATE, Nut	1	
-11	31117-1	.							PLATE, Shield	3	
(ATTACHING PARTS)											
-12	COMM	.							SCREW, Binding hd steel Cd pl No. 6-32 NC-2 x 1/4 in. lg incl external tooth lock washer steel Cd pl 0.270 OD x 0.021 in. thick	16	
---*---											
-13	31080-1	.							SHIELD, Tuning unit	1	
CHASSIS ASSEMBLY											
32-	33906-1	.							CHASSIS ASSY (see fig. 7-44 for next higher assy)	Ref	
-1	8280	.							SWITCH, Toggle SPST (CUT)	2	
-2	JJ-034	.							JACK, Telephone (JAN-J-641)	1	
-3	81057NA	.							SWITCH, Toggle DPDT (AHH)	1	
-4	No Number	.							RESISTOR, Variable composition 500,000 ohms \pm 10% . . 2w type J (AB)	1	
-5	No Number	.							RESISTOR, Variable composition 50,000 ohms \pm 10% . . . 2w w/SPST switch type JS (AB)	1	
-6	8360	.							SWITCH, Toggle DPST (CUT)	1	
-7	RC20BF335K	.							RESISTOR, Fixed composition (MIL-R-11A)	1	
-8	8363	.							SWITCH, Toggle DPDT (CUT)	1	
-9	31216-1	.							SWITCH ASSY, Selectivity (see fig. 33 for breakdown) . .	1	
-10	No Number	.							CABLE ASSY, Power c/o BDN No. 18-32 POSJ cable . . . and 1 BDN No. H1047 plug	1	
-11	SP-4P	.							BUSHING, Strain relief (HEMA)	1	
-12	CM30C103J	.							CAPACITOR, Fixed mica dielectric (MIL-C-5A)	3	
-13	RC20BF103J	.							RESISTOR, Fixed composition (MIL-R-11A)	4	
-14	1369	.							COIL, Radio frequency 825 uh at 380 kc 9 ohms DC resistance (JFE)	1	
-15	CM35A512J	.							CAPACITOR, Fixed mica dielectric (MIL-C-5A)	2	
-16	RC30BF361J	.							RESISTOR, Fixed composition (MIL-R-11A)	1	
-17	RC20BF474K	.							RESISTOR, Fixed composition (MIL-R-11A)	2	
-18	RC20BF103K	.							RESISTOR, Fixed composition (MIL-R-11A)	1	
-19	No Number	.							CAPACITOR, Fixed ceramic dielectric 10,000 uuf 1000 v DC working type B (RAMT)	11	
-20	RC20BF681K	.							RESISTOR, Fixed composition (MIL-R-11A)	1	
-21	CC21UJ510J	.							CAPACITOR, Fixed ceramic dielectric (MIL-C-20A)	2	
-22	RC20BF105K	.							RESISTOR, Fixed composition (MIL-R-11A)	1	
-23	RC20BF100K	.							RESISTOR, Fixed composition (MIL-R-11A)	3	
-24	RC20BF334J	.							RESISTOR, Fixed composition (MIL-R-11A)	1	
-25	CC20HJ150J	.							CAPACITOR, Fixed ceramic dielectric (MIL-C-20A)	1	
-26	RC20BF124J	.							RESISTOR, Fixed composition (MIL-R-11A)	2	
-27	RC20BF823J	.							RESISTOR, Fixed composition (MIL-R-11A)	2	
-28	No Number	.							CAPACITOR, Fixed mica dielectric 2500 uuf \pm 10% 800 v DC type 1441WP (AEV)	1	
-29	RC20BF183K	.							RESISTOR, Fixed composition (MIL-R-11A)	1	
-30	RC20BF222K	.							RESISTOR, Fixed composition (MIL-R-11A)	1	
-31	RC20BF223J	.							RESISTOR, Fixed composition (MIL-R-11A)	1	

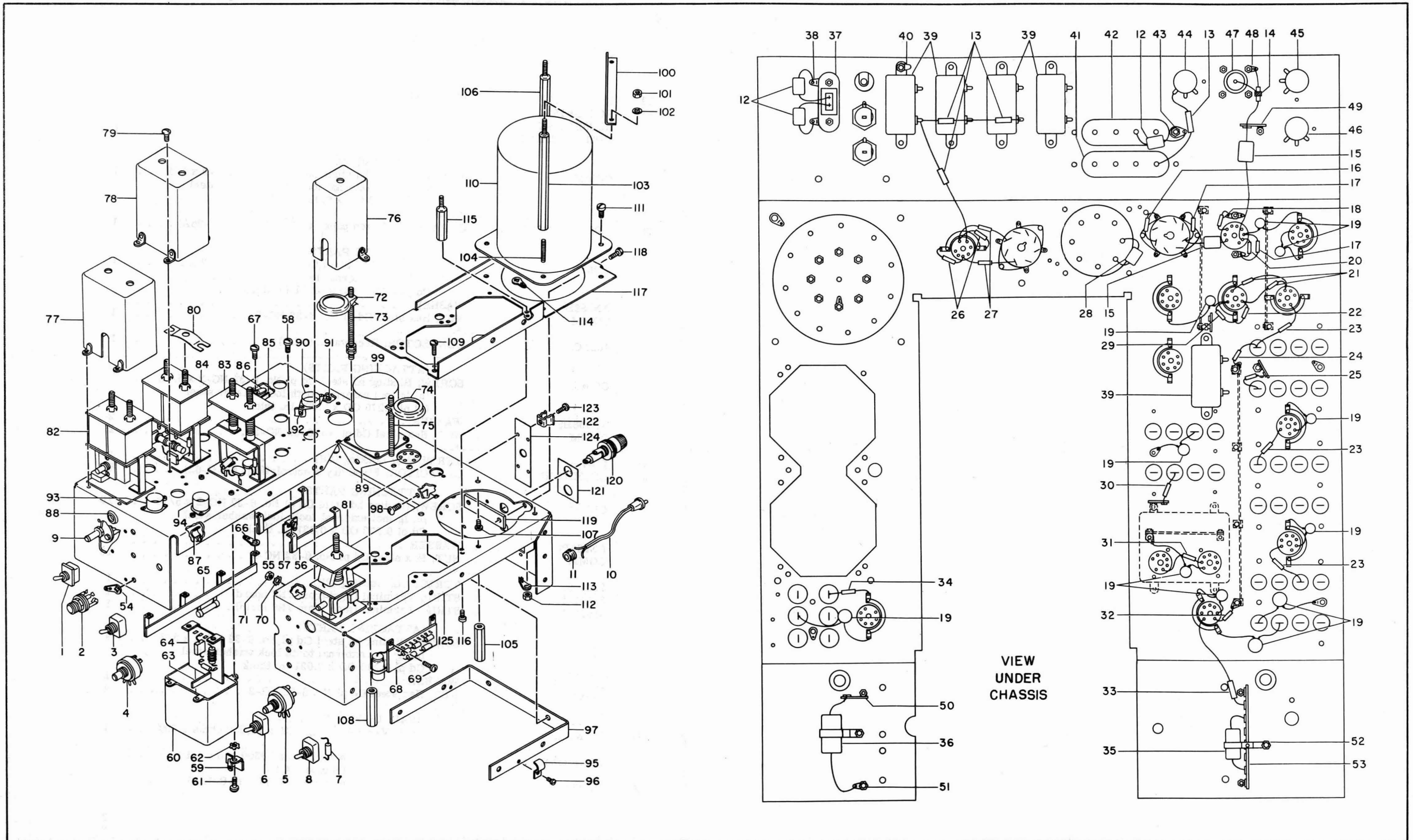


Figure 32. Chassis Assembly

FIG. & INDEX NO.	PART NO.	DESCRIPTION	UNITS PER ASSY	USABLE ON CODE
		1 2 3 4 5 6 7		
CHASSIS ASSEMBLY (cont)				
32-32	RC20BF391J	. RESISTOR, Fixed composition (MIL-R-11A)	1	
-33	RC20BF152K	. RESISTOR, Fixed composition (MIL-R-11A)	1	
-34	RC20BF104K	. RESISTOR, Fixed composition (MIL-R-11A)	1	
-35	CP28A1EC503M	. CAPACITOR, Fixed paper dielectric (MIL-C-25A)	1	
(ATTACHING PARTS)				
	COMM	. SCREW, Binding hd steel Cd pl No. 6-32 NC-2 x 1/4 in. lg incl external tooth lock washer steel Cd pl 0.270 OD x 0.021 in. thick	1	
---*---				
-36	CP28A1EC254M	. CAPACITOR, Fixed paper dielectric (MIL-C-25A)	1	
(ATTACHING PARTS)				
	COMM	. SCREW, Binding hd steel Cd pl No. 6-32 NC-2 x 1/4 in. lg incl external tooth lock washer steel Cd pl 0.270 OD x 0.021 in. thick	1	
	AN936B6	. WASHER	1	
	COMM	. NUT, Hex steel Cd pl No. 6-32 NC-2	1	
---*---				
-37	402AC	. CONNECTOR, Receptacle (ALP)	1	
(ATTACHING PARTS)				
	COMM	. SCREW, Binding hd steel Cd pl No. 6-32 NC-2 x 5/16 in. lg incl external tooth lock washer steel Cd pl 0.270 OD x 0.021 in. thick	2	
	AN936B6	. WASHER	2	
	COMM	. NUT, Hex steel Cd pl No. 6-32 NC-2	2	
---*---				
-38	2104-6	. TERMINAL, Locking (SH)	2	
-39	CE63D100H	. CAPACITOR, Fixed dry electrolytic (JAN-C-62)	5	
(ATTACHING PARTS)				
	COMM	. SCREW, Binding hd steel Cd pl No. 6-32 NC-2 x 5/16 in. lg incl external tooth lock washer steel Cd pl 0.270 OD x 0.021 in. thick	10	
	AN936B6	. WASHER	9	
	COMM	. NUT, Hex steel Cd pl No. 6-32 NC-2	10	
---*---				
-40	2104-6	. TERMINAL, Locking (SH)	1	
-41	31141-1	. STRIP, Terminal (mod from JNS board)	1	
-42	31480-1	. STRIP, Terminal (mod from JNS strip)	1	
(ATTACHING PARTS)				
	COMM	. SCREW, Binding hd steel Cd pl No. 6-32 NC-2 x 3/8 in. lg incl external tooth lock washer steel Cd pl 0.270 OD x 0.021 in. thick	4	
	AN936B6	. WASHER	1	
	COMM	. NUT, Hex steel Cd pl No. 6-32 NC-2	4	
---*---				
-43	2104-6	. TERMINAL, Locking (SH)	1	
-44	No Number	. RESISTOR, Variable composition 25,000 ohms \pm 20% (AB)	1	
-45	No Number	. RESISTOR, Variable wire wound 3300 ohms \pm 10% 2 w (similar to JAN type RA 20)	1	
-46	RA20A1SA102AK	. RESISTOR, Variable composition (JAN-R-19A)	1	
(ATTACHING PARTS)				
	COMM	. NUT, Hex steel Cd pl 3/8 in. -32 NEF-2	3	
	1220-2	. WASHER, Internal tooth lock steel Cd pl for 3/8 in. screw	3	
---*---				

FIG. & INDEX NO.	PART NO.	DESCRIPTION	UNITS PER ASSY	USABLE ON CODE
		1 2 3 4 5 6 7		
CHASSIS ASSEMBLY (cont)				
32-47	No Number	. CONNECTOR, Receptacle Navy type No. CPH-49194 . . .	1	
		Signal Corp No. SO-239		
		(ATTACHING PARTS)		
	COMM	. SCREW, Rd hd steel Cd pl No. 4-40 NC-2 x 3/8	4	
		in. lg incl internal tooth lock washer steel		
		Cd pl 0.20 OD x 0.019 in. thick		
	AN936B4	. WASHER	4	
	COMM	. NUT, Hex steel Cd pl No. 4-40 NC-2	4	
		---*---		
-48	2102-4	. TERMINAL, Locking (SH)	1	
-49	2423	. STRIP, Terminal (ICA).	1	
-50	T-2-5	. STRIP, Terminal (FNK)	1	
-51	2104-6	. TERMINAL, Locking (SH)	1	
		(ATTACHING PARTS)		
	COMM	. SCREW, Binding hd steel Cd pl No. 6-32 NC-2 x 1/4 . . .	3	
		in. lg incl external tooth lock washer steel		
		Cd pl 0.270 OD x 0.021 in. thick		
	AN936B6	. WASHER	3	
	COMM	. NUT, Hex steel Cd pl No. 6-32 NC-2	3	
		---*---		
-52	9226-11	. SPACER, Hex	1	
		(ATTACHING PARTS)		
	COMM	. SCREW, Binding hd steel Cd pl No. 6-32 NC-2 x 1/4 . . .	1	
		in. lg incl external tooth lock washer steel		
		Cd pl 0.270 OD x 0.021 in. thick		
		---*---		
-53	T-8-6	. STRIP, Terminal (FNK)	1	
		(ATTACHING PARTS)		
	COMM	. SCREW, Binding hd steel Cd pl No. 6-32 NC-2 x 5/16 . .	2	
		in. lg incl external tooth lock washer steel		
		Cd pl 0.270 OD x 0.021 in. thick		
	AN936B6	. WASHER	2	
	COMM	. NUT, Hex steel Cd pl No. 6-32 NC-2	2	
		---*---		
-54	2104-6	. TERMINAL, Locking (SH)	1	
-55	31217-1	. TERMINAL ASSY (see fig. 34 for breakdown).	1	
-56	31151-1	. TERMINAL ASSY (see fig. 35 for breakdown).	1	
-57	2423	. STRIP, Terminal (ICA)	1	
		(ATTACHING PARTS)		
	COMM	. SCREW, Binding hd steel Cd pl No. 6-32 NC-2 x 5/16 . .	4	
		in. lg incl external tooth lock washer steel		
		Cd pl 0.270 OD x 0.021 in. thick		
		---*---		
-59	T-2-5	. STRIP, Terminal (FNK)	1	
-60	31105-1	. CAN AND BRACKET ASSY, Shield	1	
		(ATTACHING PARTS)		
	COMM	. SCREW, Binding hd steel Cd pl No. 6-32 NC-2 x 1/4 . . .	4	
		in. lg incl external tooth lock washer steel		
		Cd pl 0.270 OD x 0.021 in. thick		
-62	AN936B6	. WASHER	1	
		---*---		
-63	31472-1	. SUPPORT, Terminal board	1	
-64	31131-1	. TERMINAL BOARD ASSY, Oscillator (see fig. 36 for . . .	1	
		breakdown)		

FIG. & INDEX NO.	PART NO.	DESCRIPTION	UNITS PER ASSY	USABLE ON CODE
CHASSIS ASSEMBLY (cont)				
32-65	31140-1	. TERMINAL ASSY (see fig. 37 for breakdown)	1	
-66	2104-6	. TERMINAL, Locking (SH)	3	
(ATTACHING PARTS)				
-67	COMM	. SCREW, Binding hd steel Cd pl No. 6-32 NC-2 x 1/4 in. lg incl external tooth lock washer steel Cd pl 0.270 OD x 0.021 in. thick	6	
-68	33929-1	. TERMINAL BOARD ASSY (see fig. 38 for breakdown)	1	
(ATTACHING PARTS)				
-69	COMM	. SCREW, Binding hd steel Cd pl No. 6-32 NC-2 x 3/8 in. lg incl external tooth lock washer steel Cd pl 0.270 OD x 0.021 in. thick	2	
-70	AN936B6	. WASHER	2	
-71	COMM	. NUT, Hex steel Cd pl No. 6-32 NC-2	2	
---*---				
-72	16141-2	. RETAINER, Tube	1	
-72	2	. . HAT, Electron tube (TTE)	1	
-73	32	. . POST, Threaded (TTE)	1	
(ATTACHING PARTS)				
	COMM	. . NUT, Hex copper nickel pl No. 8-32 NC-2	2	
	COMM	. . WASHER, Internal tooth lock copper nickel pl for No. 8 screw	1	
---*---				
-74	16140-2	. RETAINER, Tube	1	
-74	4	. . HAT, Electron tube (TTE)	1	
-75	42	. . POST, Threaded (TTE)	1	
(ATTACHING PARTS)				
	COMM	. . NUT, Hex copper nickel pl No. 8-32 NC-2 x 1/4 in. across flats	1	
	COMM	. . WASHER, Internal tooth lock copper nickel pl for No. 8 screw	1	
	COMM	. . NUT, Hex copper nickel pl No. 8-32 NC-2	1	
---*---				
-76	31133-1	. SHIELD AND BRACKET ASSY, Beat frequency oscillator	1	
-77	31132-1	. CAN AND BRACKET ASSY, Shield	1	
-78	31019-1	. CAN AND BRACKET ASSY, Shield	3	
(ATTACHING PARTS)				
-79	COMM	. SCREW, Binding hd steel Cd pl No. 6-32 NC-2 x 1/4 in. lg incl external tooth lock washer steel Cd pl 0.270 OD x 0.021 in. thick	20	
---*---				
-80	31023-1	. SPRING	5	
-81	31106-4	. OSCILLATOR ASSY, Beat frequency (see fig. 39 for breakdown)	1	
-82	31114-1	. FILTER ASSY, Crystal (see fig. 40 for breakdown)	1	
-83	31116-2	. TRANSFORMER ASSY, IF (see fig. 41 for breakdown)	1	
-84	31102-2	. TRANSFORMER ASSY, IF (see fig. 42 for breakdown)	2	
(ATTACHING PARTS)				
	COMM	. SCREW, Binding hd steel Cd pl No. 6-32 NC-2 x 1/4 in. lg incl external tooth lock washer steel Cd pl 0.270 OD x 0.021 in. thick	12	
---*---				

FIG. & INDEX NO.	PART NO.	DESCRIPTION	UNITS PER ASSY	USABLE ON CODE
		1 2 3 4 5 6 7		
CHASSIS ASSEMBLY (cont)				
32-85	T-2-5	. STRIP, Terminal (FNK)	1	
-86	2104-6	. TERMINAL, Locking (SH)	4	
-87	79	. CLAMP, Cable (ZE)	2	
		(ATTACHING PARTS)		
	COMM	. SCREW, Binding hd steel Cd pl No. 6-32 NC-2 x 5/16 in. lg incl external tooth lock washer steel Cd pl 0.270 OD x 0.021 in. thick	2	
	AN936B6	. WASHER	2	
	COMM	. NUT, Hex steel Cd pl No. 6-32 NC-2	2	
		---*---		
-88	2029	. GROMMET (CAF)	2	
-89	9859	. SOCKET, Electron tube (CIN)	2	
		(ATTACHING PARTS)		
	AN505-6-5	. SCREW	4	
	AN936B6	. WASHER	4	
	COMM	. NUT, Hex steel Cd pl No. 6-32 NC-2	4	
		---*---		
-90	53F12875	. SOCKET, Electron tube (CIN)	1	
		(ATTACHING PARTS)		
	COMM	. SCREW, Binding hd steel Cd pl No. 6-32 NC-2 x 3/8 in. lg incl external tooth lock washer steel Cd pl 0.270 OD x 0.021 in. thick	2	
	COMM	. NUT, Hex steel Cd pl No. 6-32 NC-2	2	
		---*---		
-91	2104-6	. TERMINAL, Locking (SH)	1	
-92	2116-06	. TERMINAL, Locking (SH)	1	
-93	TSE7T101	. SOCKET, Electron tube (JAN-S-28A)	10	
		(ATTACHING PARTS)		
	COMM	. SCREW, Rd hd steel Cd pl No. 4-40 NC-2 x 5/16 in. lg incl internal tooth lock washer steel Cd pl 0.20 OD x 0.019 in. thick	20	
	AN936B4	. WASHER	20	
	1060	. NUT, Strap (CIN)	10	
		---*---		
-94	TSE7T101	. SOCKET, Electron tube (JAN-S-28A)	2	
		(ATTACHING PARTS)		
	COMM	. SCREW, Rd hd steel Cd pl No. 4-40 NC-2 x 1/4 in. lg incl internal tooth lock washer steel Cd pl 0.20 OD x 0.019 in. thick	4	
	COMM	. NUT, Hex steel Cd pl No. 4-40 NC-2	4	
		---*---		
-95	79	. CLAMP, Cable (ZE)	2	
		(ATTACHING PARTS)		
-96	COMM	. SCREW, Binding hd steel Cd pl No. 6-32 NC-2 x 1/4 in. lg incl external tooth lock washer steel Cd pl 0.270 OD x 0.021 in. thick	2	
		---*---		
-97	31426-1	. BRACKET, Chassis	1	
		(ATTACHING PARTS)		
-98	COMM	. SCREW, Binding hd steel Cd pl No. 10-32 NF-2 x 1/4 in. lg incl external tooth lock washer steel Cd pl 0.408 OD x 0.024 in. thick	6	
		---*---		

FIG. & INDEX NO.	PART NO.	DESCRIPTION	UNITS PER ASSY	USABLE ON CODE
		1 2 3 4 5 6 7		
CHASSIS ASSEMBLY (cont)				
32-99	31086-2	. TRANSFORMER, Audio output	1	
		(ATTACHING PARTS)		
	COMM	. SCREW, Binding hd steel Cd pl No. 6-32 NC-2 x 5/16 . .	4	
		in. lg incl external tooth lock washer steel Cd pl 0.270 OD x 0.021 in. thick		
	AN936B6	. WASHER	4	
	COMM	. NUT, Hex steel Cd pl No. 6-32 NC-2	4	
		---*---		
-100	31425-1	. STRIP, Transformer	1	
		(ATTACHING PARTS)		
-101	COMM	. NUT, Hex steel Cd pl No. 10-32 NF-2	4	
-102	AN936A10	. WASHER	4	
		---*---		
-103	31424-1	. POST	1	
-104	10010-35	. STUD, Threaded	1	
-105	31421-1	. POST, Mounting	1	
-106	31424-1	. POST	1	
		(ATTACHING PARTS)		
-107	COMM	. SCREW, Binding hd steel Cd pl No. 10-32 NF-2 x 1/2 . .	1	
		in. lg incl external tooth lock washer steel Cd pl 0.408 OD x 0.024 in. thick		
		---*---		
-108	31421-1	. POST, Mounting	3	
		(ATTACHING PARTS)		
-109	COMM	. SCREW, Binding hd steel Cd pl No. 10-32 NF-2 x 1/2 . .	3	
		in. lg incl external tooth lock washer steel Cd pl 0.408 OD x 0.024 in. thick		
		---*---		
-110	31029-2	. TRANSFORMER, Power	1	
		(ATTACHING PARTS)		
-111	COMM	. SCREW, Binding hd steel Cd pl No. 10-32 NF-2 x 1/2 . .	1	
		in. lg incl external tooth lock washer steel Cd pl 0.408 OD x 0.024 in. thick		
-112	COMM	. NUT, Hex steel Cd pl No. 10-32 NC-2	1	
		---*---		
-113	2109-10-01	. TERMINAL, Locking (SH)	1	
-114	124	. TERMINAL (ZE)	1	
-115	31422-1	. POST	1	
		(ATTACHING PARTS)		
-116	COMM	. SCREW, Binding hd steel Cd pl No. 8-32 NC-2 x 1/2 . . .	1	
		in. lg incl external tooth lock washer steel Cd pl 0.317 OD x 0.021 in. thick		
		---*---		
-117	31420-1	. PLATE, Chassis	1	
		(ATTACHING PARTS)		
-118	COMM	. SCREW, Binding hd steel Cd pl No. 10-32 NF-2 x 5/16 . .	2	
		in. lg incl external tooth lock washer steel Cd pl 0.408 OD x 0.024 in. thick		
		---*---		
-119	31142-1	. PLATE, Nut	1	

FIG. & INDEX NO.	PART NO.	DESCRIPTION	UNITS PER ASSY	USABLE ON CODE
CHASSIS ASSEMBLY (cont)				
32-120	HKP-Q	. HOLDER, Fuse (BUS)	2	
-121	31492-1	. PLATE, Fuse	1	
-122	4099	. CLIP, Fuse (BUS)	4	
(ATTACHING PARTS)				
-123	COMM	. RIVET, Halfoval hd semitubular steel Cd pl 0.121 dia . . x 5/32 in. lg	4	
-124	31493-1	. PLATE, Spare fuse	1	
-125	31135-4	. CHASSIS	1	

SELECTIVITY SWITCH ASSEMBLY

33-	31216-1	SWITCH ASSY, Selectivity (see fig. 32-9 for next higher assy)	Ref	
-1	RC20BF241J	. RESISTOR, Fixed composition (MIL-R-11A)	1	
-2	RC20BF112J	. RESISTOR, Fixed composition (MIL-R-11A)	1	
-3	RC20BF183K	. RESISTOR, Fixed composition (MIL-R-11A)	1	
-4	33994-1	. BRACKET	1	
-5	15856-1	. SWITCH, Rotary 3 sections (incl washer and nut). (similar to OAK type H)	1	

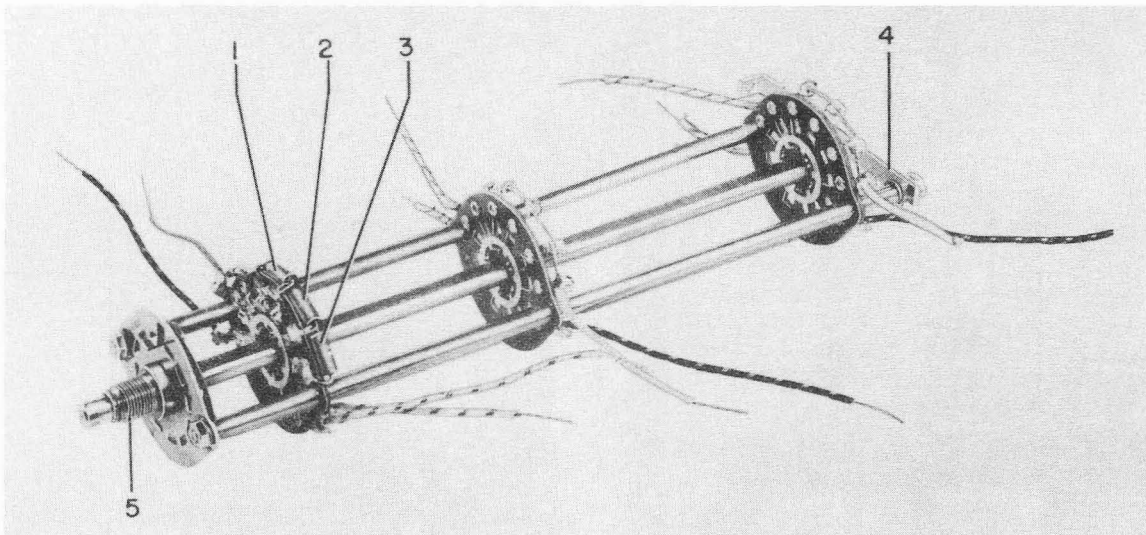


Figure 33. Selectivity Switch Assembly

FIG. & INDEX NO.	PART NO.	DESCRIPTION							UNITS PER ASSY	USABLE ON CODE
		1	2	3	4	5	6	7		

TERMINAL ASSEMBLY

34-	31217-1	TERMINAL ASSEMBLY (see fig. 32-55 for next higher . . . assy)							Ref	
-1	RC20BF222K	.							2	
-2	CM20C431G	.							2	
-3	RC20BF104K	.							2	
-4	RC20BF105K	.							1	
-5	15616-1	.							1	
-6	RC30BF222K	.							1	
-7	31163-1	.							1	

TERMINAL ASSEMBLY

35-	31151-1	TERMINAL ASSY (see fig. 32-56 for next higher assy) . . .							Ref	
-1	RC20BF104K	.							4	
-2	RC20BF223J	.							1	
-3	RC20BF473K	.							1	
-4	RC20BF273K	.							1	
-5	CC26SL101K	.							2	
-6	No Number	.							1	
										1000 v DC working type B (RAMT)
-7	RC20BF103J	.							1	
-8	CM15A512J	.							1	
-9	31163-1	.							1	

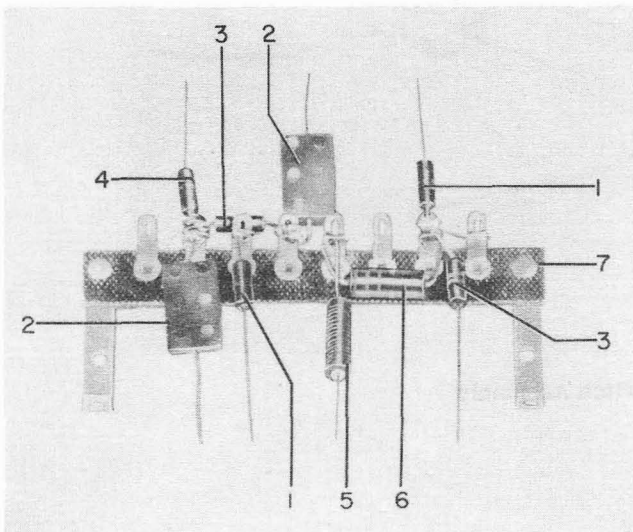


Figure 34. Terminal Assembly

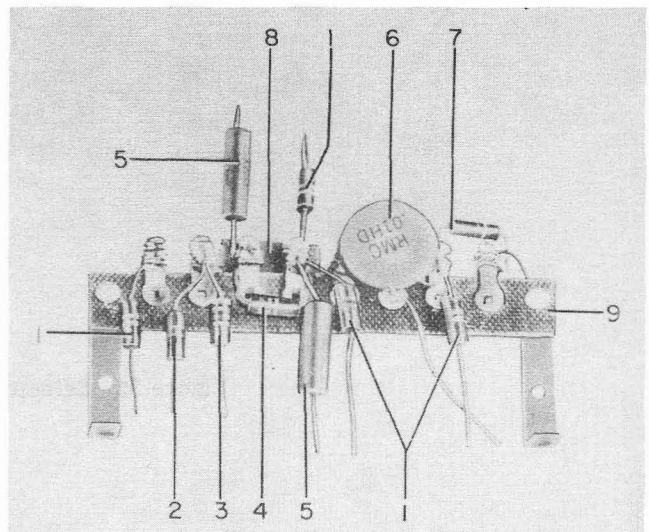


Figure 35. Terminal Assembly

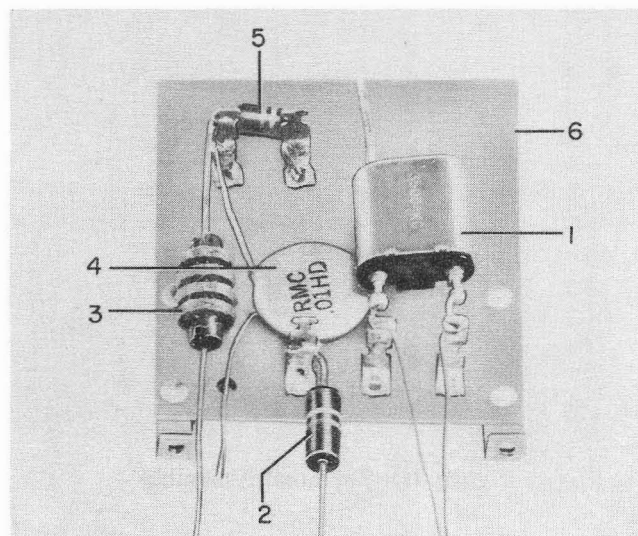


Figure 36. Oscillator Terminal Board Assembly

FIG. & INDEX NO.	PART NO.	DESCRIPTION							UNITS PER ASSY	USABLE ON CODE
		1	2	3	4	5	6	7		

OSCILLATOR TERMINAL BOARD ASSEMBLY

36-	31131-1	TERMINAL BOARD ASSY, Oscillator (see fig. 32-64							Ref	
		for next higher assy)								
-1	No Number	. CRYSTAL UNIT, Quartz 3500 kc ± 0.005% type							1	
		VX4 (BLY)								
-2	RC30BF203J	. RESISTOR, Fixed composition (MIL-R-11A)							1	
-3	15612-1	. COIL, RF 192 uh							1	
-4	No Number	. CAPACITOR, Fixed ceramic dielectric 10,000 uuf							2	
		1000 v DC working type B (RAMT)								
-5	RC20BF104K	. RESISTOR, Fixed composition (MIL-R-11A)							1	
-6	31124-1	. TERMINAL BOARD AND LUG ASSY							1	

TERMINAL ASSEMBLY

37-	31140-1	TERMINAL ASSY (see fig. 32-65 for next higher assy) . . .							Ref	
-1	RW32G252	. RESISTOR, Fixed wirewound (MIL-R-26A)							1	
-2	RC20BF333J	. RESISTOR, Fixed composition (MIL-R-11A)							1	
-3	RC20BF511J	. RESISTOR, Fixed composition (MIL-R-11A)							1	
-4	No Number	. CAPACITOR, Fixed ceramic dielectric 10,000 uuf							4	
		1000 v DC working type B (RAMT)								
-5	RC20BF103J	. RESISTOR, Fixed composition (MIL-R-11A)							4	
-6	RC20BF104K	. RESISTOR, Fixed composition (MIL-R-11A)							3	
-7	RC20BF223J	. RESISTOR, Fixed composition (MIL-R-11A)							1	
-8	RC20BF823J	. RESISTOR, Fixed composition (MIL-R-11A)							1	
-9	31162-1	. STRIP ASSY, Terminal							1	

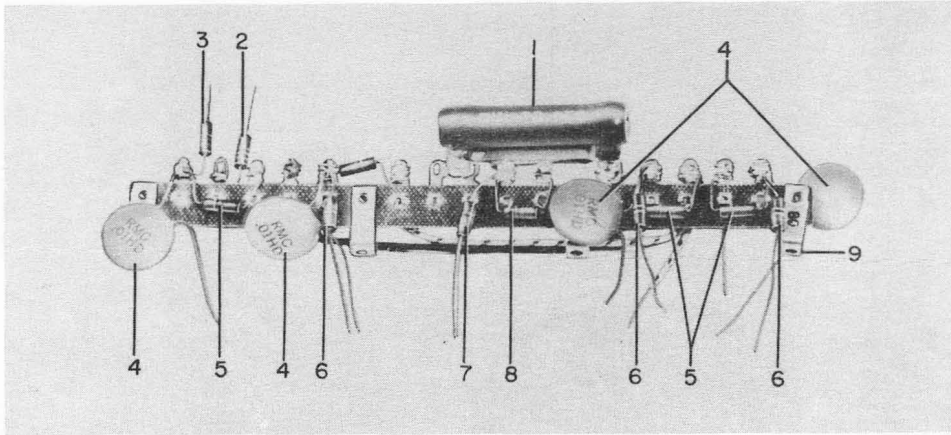


Figure 37. Terminal Assembly

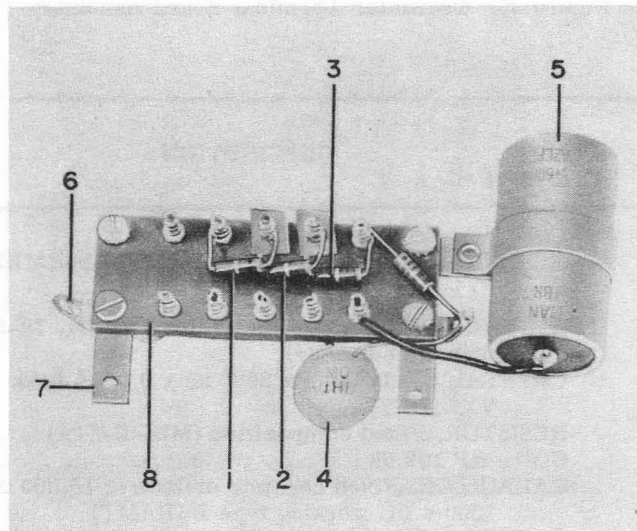


Figure 38. Terminal Board Assembly

FIG. & INDEX NO.	PART NO.	DESCRIPTION	UNITS PER ASSY	USABLE ON CODE
		1 2 3 4 5 6 7		

TERMINAL BOARD ASSEMBLY

38-	33929-1	TERMINAL BOARD ASSY (see fig. 32-68 for next higher assy)	Ref	
-1	RC20BF105K	. RESISTOR, Fixed composition (MIL-R-11A)	1	
-2	RC20BF155K	. RESISTOR, Fixed composition (MIL-R-11A)	2	
-3	RC20BF112J	. RESISTOR, Fixed composition (MIL-R-11A)	1	
-4	No Number	. CAPACITOR, Fixed ceramic dielectric 10,000 uuf 1000 v DC working type B (RAMT)	1	
-5	CP27A2EF254K	. CAPACITOR, Fixed paper dielectric (MIL-C-25A)	1	
-6	2104-6	. TERMINAL, Locking (SH)	2	
-7	33926-1	. BRACKET, Mounting	2	

FIG. & INDEX NO.	PART NO.	DESCRIPTION	UNITS PER ASSY	USABLE ON CODE
TERMINAL BOARD ASSEMBLY (cont)				
(ATTACHING PARTS)				
38-	COMM	. SCREW, Binding hd steel Cd pl No. 6-32 NC-2 x 7/16 . . .	4	
		in. lg incl external tooth lock washer steel Cd pl 0.270 OD x 0.21 in. thick		
	AN936B6	. WASHER	4	
	COMM	. NUT, Hex steel Cd pl No. 6-32 NC-2	4	
		---*---		
-8	33928-1	. BOARD AND TERMINAL ASSY	1	

BEAT FREQUENCY OSCILLATOR ASSEMBLY

39-	31106-4	OSCILLATOR ASSY, Beat frequency (see fig. 32-81 for next higher assy)	Ref	
-1	CM30C242J	. CAPACITOR, Fixed mica dielectric (MIL-C-5A)	1	
-2	CC21UJ270J	. CAPACITOR, Fixed ceramic dielectric (MIL-C-20A)	1	
-3	CM20C431G	. CAPACITOR, Fixed mica dielectric (MIL-C-5A)	2	
-4	CM15C510G	. CAPACITOR, Fixed mica dielectric (MIL-C-5A)	1	
-5	RC20BF473K	. RESISTOR, Fixed composition (MIL-R-11A)	1	
-6	RC20BF104K	. RESISTOR, Fixed composition (MIL-R-11A)	1	
-7	15615-2	. COIL, RF	1	
	31104-4	. OSCILLATOR SUB-ASSY, Beat frequency	1	
-8	31241-1	. . SHAFT, Beat frequency oscillator	1	

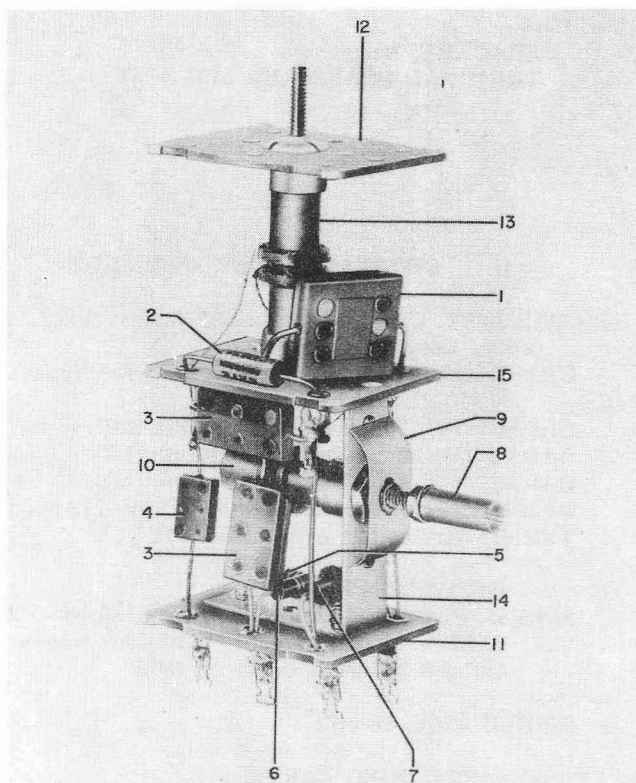


Figure 39. Beat Frequency Oscillator Assembly

FIG. & INDEX NO.	PART NO.	DESCRIPTION	UNITS PER ASSY	USABLE ON CODE
		1 2 3 4 5 6 7		
BEAT FREQUENCY OSCILLATOR ASSEMBLY (cont)				
(ATTACHING PARTS)				
39-	COMM AN936A6	. . NUT, Hex steel Cd pl No. 6-32 NC-2	1	
		. . WASHER	1	
		----*----		
-9	31076-2	. . SPRING ASSY, Tension	1	
-10	31070-3	. . COIL AND FERRULE ASSY	1	
(ATTACHING PARTS)				
	COMM	. . NUT, Hex steel Cd pl 5/16 in. - 32 NEF-2	1	
		----*----		
-11	31091-2	. . TERMINAL BOARD AND LUG ASSY	1	
(ATTACHING PARTS)				
	COMM	. . SCREW, Binding hd steel Cd pl No. 6-32 NC-2	2	
		x 5/16 in. lg incl external tooth lock washer steel Cd pl 0.270 OD x 0.021 in. thick		
		----*----		
-12	31027-1	. . BOARD, Terminal	1	
(ATTACHING PARTS)				
	C7133B-632-012	. . NUT, Tension (TIN)	1	
		----*----		
-13	31071-1	. . COIL AND FERRULE ASSY	1	
(ATTACHING PARTS)				
	COMM	. . SCREW, Binding hd steel Cd pl No. 6-32 NC-2	1	
		x 5/16 in. lg incl external tooth lock washer steel Cd pl 0.270 OD x 0.021 in. thick		
	AN936B6	. . WASHER	1	
		----*----		
-14	31028-2	. . BRACKET, Mounting	1	
-15	31091-1	. . TERMINAL BOARD AND LUG ASSY	1	
CRYSTAL FILTER ASSEMBLY				
40-	31114-1	FILTER ASSY, Crystal (see fig. 32-82 for next	Ref	
		higher assy)		
-1	No Number	. CRYSTAL UNIT, Quartz 455 kc ± 50 cps, type	1	
		VX4 (BLY)		
-2	CM15C221G	. CAPACITOR, Fixed mica dielectric (MIL-C-5A)	1	
-3	CM15C101G	. CAPACITOR, Fixed mica dielectric (MIL-C-5A)	3	
-4	CM15C271G	. CAPACITOR, Fixed mica dielectric (MIL-C-5A)	1	
-5	RC20BF222K	. RESISTOR, Fixed composition (MIL-R-11A)	1	
-6	31092-1	. TERMINAL BOARD AND LUG ASSY	1	
(ATTACHING PARTS)				
	COMM	. SCREW, Binding hd steel Cd pl No. 6-32 NC-2 x	2	
		5/16 in. lg incl external tooth lock washer steel Cd pl 0.270 OD x 0.021 in. thick		
		----*----		
-7	31021-1	. SHIELD ASSY, IF coil	1	
(ATTACHING PARTS)				
	C7133B-632-012	. NUT, Tension (TIN)	2	
		----*----		

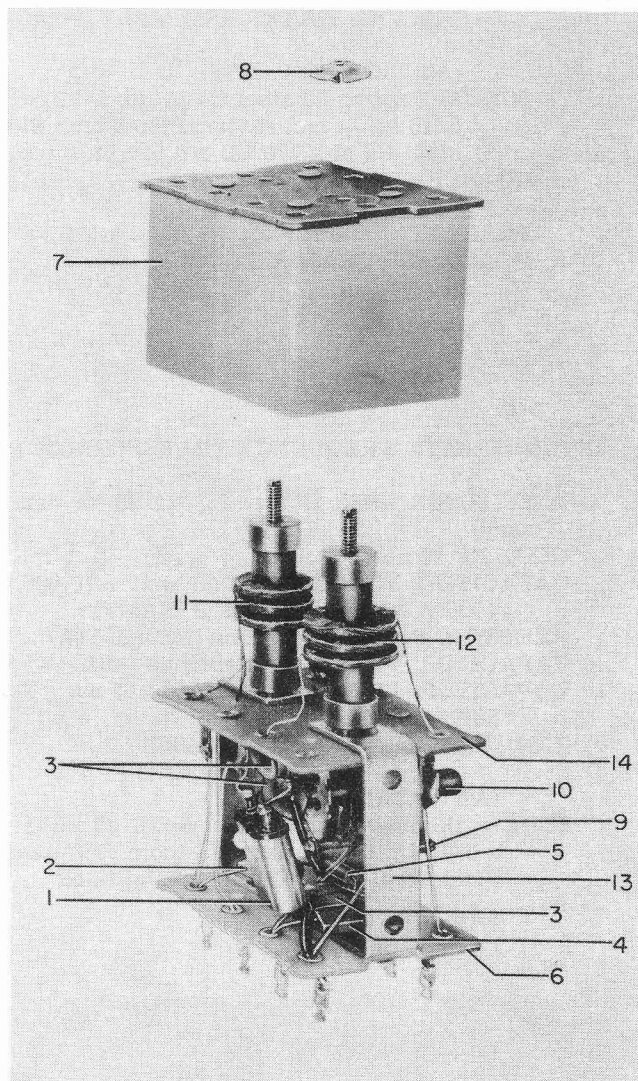


Figure 40. Crystal Filter Assembly

FIG. & INDEX NO.	PART NO.	DESCRIPTION	UNITS PER ASSY	USABLE ON CODE
		1 2 3 4 5 6 7		
CRYSTAL FILTER ASSEMBLY (cont)				
40-	31113-1	. FILTER SUB-ASSY, Crystal	1	
-9	2102-4	. . . TERMINAL, Locking (SH)	1	
-10	11776-1	. . . CAPACITOR, Variable air dielectric 3.5 to 8 uuf . . .	1	
	COMM	(ATTACHING PARTS) . . . SCREW, Binding hd steel Cd pl No. 4-40 NC-2 x . . . 1/4 in. lg incl external tooth lock washer steel Cd pl 0.254 OD x 0.019 in. thick	2	
		----*----		
-11	31242-1	. . . COIL ASSY, Crystal filter plate	1	
-12	31068-1	. . . COIL ASSY, Crystal filter grid.	1	

FIG. & INDEX NO.	PART NO.	1	2	3	4	5	6	7	DESCRIPTION	UNITS PER ASSY	USABLE ON CODE
CRYSTAL FILTER ASSEMBLY (cont)											
(ATTACHING PARTS)											
40-	COMM	.	.	.	SCREW, Binding hd steel Cd pl No. 6-32 NC-2 x 5/16 in. lg incl external tooth lock washer steel Cd pl 0.270 OD x 0.021 in. thick	.	.	.		2	
	AN936B6	.	.	.	WASHER	.	.	.		2	
		-----*									
-13	31017-1	.	.	.	BRACKET, Mounting	.	.	.		2	
-14	31094-1	.	.	.	BOARD AND BRACKET ASSY	.	.	.		1	

INTERMEDIATE FREQUENCY TRANSFORMER ASSEMBLY

41-	31116-2	.	.	.	TRANSFORMER ASSY, IF (see fig. 32-83 for next higher assy)	.	.	.		Ref	
-1	15613-1	.	.	.	COIL, RF 26 uh	.	.	.		1	
-2	No Number	.	.	.	CAPACITOR, Fixed ceramic dielectric 10,000 uuf 1000 v DC working type B (RAMT)	.	.	.		2	
-3	RC20BF104K	.	.	.	RESISTOR, Fixed composition (MIL-R-11A)	.	.	.		1	
-4	CM15C510G	.	.	.	CAPACITOR, Fixed mica dielectric (MIL-C-5A)	.	.	.		1	
-5	No Number	.	.	.	CAPACITOR, Fixed mica dielectric 65 uuf ± 2 uuf 500 v DC (ELMP)	.	.	.		1	
-6	31092-1	.	.	.	TERMINAL BOARD AND LUG ASSY	.	.	.		1	
(ATTACHING PARTS)											
	COMM	.	.	.	SCREW, Binding hd steel Cd pl No. 6-32 NC-2 x 5/16 in. lg incl external tooth lock washer steel Cd pl 0.270 OD x 0.021 in. thick	.	.	.		2	
		-----*									

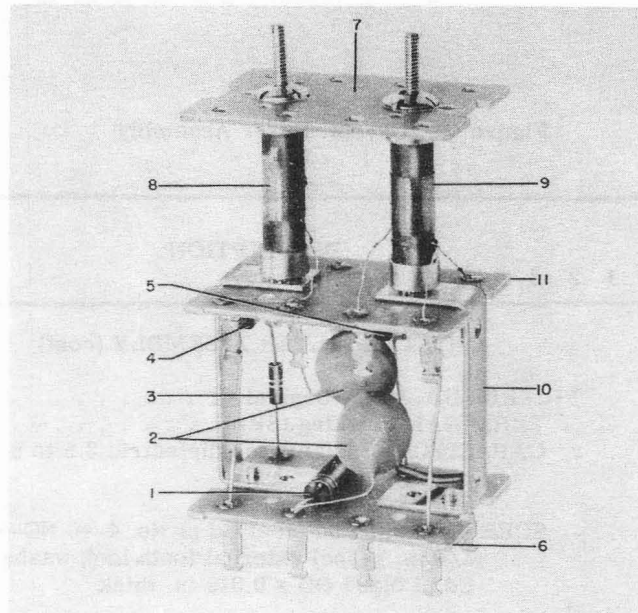


Figure 41. Intermediate Frequency Transformer Assembly

FIG. & INDEX NO.	PART NO.	DESCRIPTION	UNITS PER ASSY	USABLE ON CODE
INTERMEDIATE FREQUENCY TRANSFORMER ASSEMBLY (cont)				
41-7	31022-1	. BOARD, Terminal	1	
		(ATTACHING PARTS)		
	C7133B-632-012	. NUT, Tension (TIN)	2	
		---*---		
-8	31209-1	. COIL AND FERRULE ASSY, IF	1	
-9	31110-1	. COIL AND FERRULE ASSY, IF	1	
		(ATTACHING PARTS)		
	COMM	. SCREW, Binding hd steel Cd pl No. 6-32 NC-2	2	
		x 5/16 in. lg incl external tooth lock washer steel Cd pl 0.270 OD x 0.021 in. thick		
	AN936B6	. WASHER	2	
		---*---		
-10	31017-1	. BRACKET, Mounting	2	
-11	31092-1	. TERMINAL BOARD AND LUG ASSY	1	

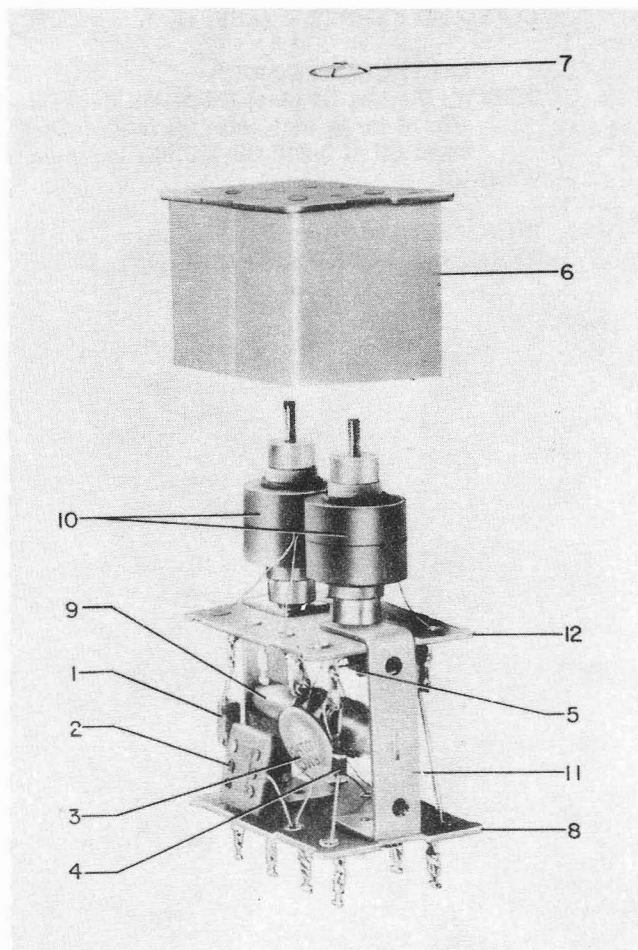


Figure 42. Intermediate Frequency Transformer Assembly

FIG. & INDEX NO.	PART NO.	DESCRIPTION	UNITS PER ASSY	USABLE ON CODE
		1 2 3 4 5 6 7		
INTERMEDIATE FREQUENCY TRANSFORMER ASSEMBLY				
42-	31102-2	TRANSFORMER ASSY, IF (see fig. 32-84 for next higher assy)	Ref	
-1	CM15C301G	. CAPACITOR, Fixed mica dielectric (MIL-C-5A)	1	
-2	CM30C132G	. CAPACITOR, Fixed mica dielectric (MIL-C-5A)	1	
-3	No Number	. CAPACITOR, Fixed ceramic dielectric 10,000 uuf 1000 v DC working type B (RAMT)	1	
-4	RC20BF222K	. RESISTOR, Fixed composition (MIL-R-11A)	1	
-5	CM15C221G	. CAPACITOR, Fixed mica dielectric (MIL-C-5A)	1	
-6	31021-1	. SHIELD ASSY, IF coil	1	
(ATTACHING PARTS)				
-7	C7133B-632-012	. NUT, Tension (TIN)	2	
---*---				
-8	31101-1	. TRANSFORMER SUB-ASSY, IF	1	
	31092-1	. . TERMINAL BOARD AND LUG ASSY, IF	1	
(ATTACHING PARTS)				
	COMM	. . SCREW, Binding hd steel Cd pl No. 6-32 NC-2 x 5/16 in. lg incl external tooth lock washer steel Cd pl 0.270 OD x 0.021 in. thick	2	
---*---				
-9	31026-1	. . COIL ASSY, IF	1	
-10	31067-1	. . COIL AND FERRULE ASSY, IF	2	
(ATTACHING PARTS)				
	COMM	. . SCREW, Binding hd steel Cd pl No. 6-32 NC-2 x 5/16 in. lg incl external tooth lock washer steel Cd pl 0.270 OD x 0.021 in. thick	2	
	AN936B6	. . WASHER	2	
---*---				
-11	31017-2	. . BRACKET, Mounting	2	
-12	31092-1	. . TERMINAL BOARD AND LUG ASSY, IF	1	

**SECTION III
NUMERICAL INDEX**

MFR PART NO	MFR FEDERAL CODE	FEDERAL STOCK NO.		FIG. & INDEX NO.	QTY PER ART	SMR CODE	EQUIP SPARES
		FSC	FIIN				
CABLE ASSY	70903	5995		32-10	1		
CAPACITOR	91418	5910	648- 9573	5-14	54	XB3	
				8-25			
				9-5			
				10-4			
				11-1			
				12-2			
				14-1			
				15-2			
				32-19			
				35-6			
				36-4			
				37-4			
				38-4			
				41-2			
				42-3			
CAPACITOR	04062	5910		10-1	1		
CAPACITOR	04062	5910		13-2	1		
CAPACITOR	04062	5910		16-1	1		
CAPACITOR	04062	5910		22-3	1		
CAPACITOR	04062	5910		25-3	1		
CAPACITOR	00656	5910	242- 6068	32-28	1	XB3	
CAPACITOR	00656	5910		41-5	1		
CONNECTOR	80063	5935	259- 0148	32-47	1	XB3	
CRYSTAL UNIT	71034	5955		36-1	1		
CRYSTAL UNIT	71034	5955	667- 4617	40-1	1	NB3	
MTG PLATE & TB SUBASSY	80583	5820		9-23	NP		
NUT		5310		3-26	12		
NUT		5310		3-44	8		
NUT		5310		4-43	22		
NUT		5310		5-	6		
NUT		5310		5-	73		
NUT		5310		7-23	6		
NUT		5310		29-16	1		
NUT		5310		39-	1		
PIN	73957	5315	297- 1368	4-25	1	XB3	
RESISTOR	83777	5905	173- 7968	7-25	1	XB3	
RESISTOR	83777	5905	549- 6722	7-26	1	XB3	
RESISTOR	80583	5905	500- 7517	9-14	3	XB3	
RESISTOR	01121	5905		32-4	1		
RESISTOR	01121	5905		32-5	1		
RESISTOR	01121	5905		32-44	1		
RESISTOR		5905		32-45	1		
RIVET		5325		32-123	4		
SCREW		5305		2-2	10		
SCREW		5305		2-4	4		
SCREW		5305		3-29	2		
SCREW		5305		3-30	8		
SCREW		5305		3-47	9		
SCREW		5305		3-53	16		
SCREW		5305		4-41	6		
SCREW		5305		4-47	2		
SCREW		5305		4-49	4		
SCREW		5305		5-	66		
SCREW		5305		5-	121		
SCREW		5305		5-	2		
SCREW		5305		5-4	22		
SCREW		5305		5-18	22		
SCREW		5305		5-20	15		
SCREW		5305		5-25	2		

Section III
Numerical Index

T.O. 31R2-4-101-4

MFR PART NO	MFR FEDERAL CODE	FEDERAL STOCK NO.		FIG. & INDEX NO.	QTY PER ART	SMR CODE	EQUIP SPARES
		FSC	FIIN				
SCREW		5305		6-2	4		
SCREW		5305		7-21	25		
SCREW		5305		7-27	2		
SCREW		5305		8-24	4		
SCREW		5305		29-10	2		
SCREW		5305		29-49	1		
SCREW		5305		29-53	2		
SCREW		5305		32-	4		
SCREW		5305		32-	20		
SCREW		5305		32-98	6		
SCREW		5305		38-	4		
SOCKET	72825	5935		9-19	1		
SWITCH	76854	5930	548- 9038	3-51	1	XB3	
SWITCH	37942	5930	334- 3699	5-41	1	XB3	
WASHER		5310		4-34	1		
WASHER		5310		5-	3		
WASHER		5310		5-26	4		
WASHER		5310		29-36	2		
WASHER		5310		29-43	6		
WRENCH	70276	5120	242- 7410	8-1	1	NB3	
WRENCH	70276	5120	224- 2504	8-2	1	NB3	
WRENCH	70276	5120	198- 5398	8-3	1	NB3	
AGC 3/8	71400	5920	280- 8628	3-58	2	XB3	
AN505-4-4	88044	5305	151- 0931	5-	7	XB3	
AN505-4-7	88044	5305	156- 2596	5-	6	XB3	
AN505-6-5	88044	5305	013- 3418	32-	4	XB3	
AN515-2-4	8E044	5305	156- 2777	7-2	6	XB3	
AN515-2-6	88044	5305	156- 2779	7-9	2	XB3	
AN515-8-10	88044	5305	151- 1564	29-42	6	XB3	
AN565D6H2	88044	5305	637- 5831	3-41	4	XB3	
AN565D8H3	88044	5305	282- 2008	5-5	4	XB3	
AN565D8H6	88044	5305	282- 5796	30-2	2	XB3	
AN935-4	88044	5310	167- 0695	3-39	2	XB3	
AN935-6	88044	5310	209- 3991	3-36	1	XB3	
AN936A10	88044	5310	167- 0878	3-31	15	XB3	
AN936A2	88044	5310		7-3	8		
AN936A4	88044	5310	167- 0852	4-44	14	XB3	
AN936A6	88044	5310	167- 0876	5-	5	XB3	
AN936A616	88044	5310	167- 0722	3-27	7	XB3	
AN936A8	88044	5310	167- 0877	5-28	2	XB3	
AN936B4	88044	5310	184- 8967	32-	24	XB3	
AN936B6	88044	5310		5-	56		
AN936B8	88044	5310	596- 7693	3-45	6	XB3	
CC-80W-PP	20093	5970	356- 0686	5-43	1		
CC20CJ070F	81349	5910	270- 3036	23-2	1	XB3	
CC20HJ150J	81349	5910	112- 7762	26-2	2	XB3	
CC21UJ050C	81349	5910	195- 7820	9-2	2	XB3	
CC21UJ120J	81349	5910	644- 6338	5-2	2	XB3	
CC21UJ270J	81349	5910	270- 9112	39-2	1	XB3	
CC21UJ510F	81349	5910	669- 2957	25-2	1	XB3	
CC21UJ510J	81349	5910	654- 5788	32-21	2	XB3	
CC26SL101K	81349	5910	644- 0561	35-5	2	XB3	
CE33D200R	81349	5910	160- 2399	6-5	1	XB3	
CE63D100H	81349	5910	112- 7845	32-39	5	XB3	
CM15A512J	81349	5910		35-8	1		
CM15B100K	81349	5910	648- 8623	19-2	1	XB3	
CM15C101G	81349	5910	636- 2153	9-6	8	XB3	
CM15C121G	81349	5910	539- 7776	22-1	1	XB3	
CM15C200J	81349	5910	643- 9154	17-2	3	XB3	
CM15C221G	81349	5910	643- 9191	10-2	4	XB3	
CM15C271G	81349	5910	648- 8064	40-4	1	XB3	
CM15C301G	81349	5910	666- 7881	42-1	2	XB3	
CM15C330J	81349	5910	636- 2099	20-2	3	XB3	
CM15C390J	81349	5910	284- 4049	5-12	1	XB3	
CM15C510G	81349	5910	636- 2154	27-1	4	XB3	
CM20C101G	81349	5910	101- 5614	25-1	1	XB3	
CM20C431G	81349	5910	191- 1844	34-2	4	XB3	
CM20C510G	81349	5910	101- 4886	28-1	1	XB3	
CM20C611G	81349	5910		28-2	1		
CM30C102G	81349	5910	101- 4018	23-1	1	XB3	
CM30C103J	81349	5910	725- 8771	32-12	3	XB3	
CM30C122G	81349	5910	668- 3194	19-1	1	XB3	
CM30C132G	81349	5910	667- 9950	42-2	2	XB3	
CM30C152G	81349	5910	161- 6289	20-1	4	XB3	
CM30C242J	81349	5910	190- 7589	17-1	4	XB3	
CM30C332G	81349	5910	171- 3231	13-1	1	XB3	
CM30E222J	81349	5910	726- 0907	5-16	1	XB3	
CM35A512J	81349	5910	668- 2099	32-15	2	XB3	
CP27A2EF254W	81349	5910	280- 6673	38-5	1	XB3	
CP28A1EC254M	81349	5910	655- 0536	32-36	1	XB3	
CP28A1EC503M	81349	5910	617- 3902	32-35	1	XB3	
CP53B6EF503V	81349	5910	649- 2276	7-33	1	XB3	
C7133B-632-012	78553	5310		10-6	35		

MFR PART NO	MFR FEDERAL CODE	FEDERAL STOCK NO.		FIG. & INDEX NO.	QTY PER ART	SMR CODE	EQUIP SPARES
		FSC	FIIN				
D-1	71753	5950		11- 12- 13- 14- 15- 16- 17- 18- 19- 20- 21- 22- 23- 24- 25- 26- 27 28- 39- 40-8 41- 42-7 11-2 12-4 13-3 14-2 15-4 16-2 17-3 18-5 19-3 20-3 21-5 22-4 23-3 24-2 25-4 26-3 27-2 28-3	24		
D-54108	65092	6625	236- 2587	4-3	1		
HKP-Q	71400	5920	503- 0738	32-120	2	XB3	
JAN0A2	81349	5960	557- 6926	3-11	1	XB3	
JAN12AU7	81349	5960	636- 2218	3-9	1	XB3	
JAN5R4GY	81349	5960	188- 3945	3-13	1	XB3	
JAN5726/6AL5W/6097	81349	5960	262- 0185	3-10	3	XB3	
JAN5749/6BA6W	81349	5960	264- 2089	3-8	7	XB3	
JAN6AC7	81349	5960	166- 7666	5-1	1	XB3	
JAN6BE6	81349	5960	264- 3002	3-15	2	XB3	
JAN6C4	81349	5960	248- 3085	3-14	3	XB3	
JAN6V6GT	81349	5960	116- 9927	3-12	1	XB3	
JJ-034	81350	5935	194- 3082	32-2	1	XB3	
MDL1-6/10	71400	5920	131- 9819	3-59	2		
P11003	83777	5310		7-28	4		
RA20A1SA102AK	81350	5905	192- 2510	32-46	1	XB3	
RC20BF100K	81350	5905	190- 8883	32-23	3	XB3	
RC20BF102K	81350	5905	195- 6806	9-7	7	XB3	
RC20BF103J	81350	5905	185- 8510	9-8	11	XB3	
RC20BF104K	81350	5905	195- 6761	32-34	13	XB3	
RC20BF105K	81350	5905	279- 2513	32-22	3	XB3	
RC20BF112J	81350	5905	279- 3508	33-2	2	XB3	
RC20BF124J	81350	5905	192- 3981	32-76	2	XB3	
RC20BF151J	81350	5905	299- 1541	9-11	1	XB3	
RC20BF152K	81350	5905	279- 1757	32-33	1	XB3	
RC20BF155K	81350	5905	279- 1754	38-2	2	XB3	
RC20BF181K	81350	5905	279- 3514	5-9	2	XB3	
RC20BF183K	81350	5905	279- 3500	32-29	2	XB3	
RC20BF220K	81350	5905	279- 3519	9-1	4	XB3	
RC20BF222K	81350	5905	279- 1876	10-3	7	XB3	
RC20BF223J	81350	5905	171- 2004	32-31	3	XB3	
RC20BF240J	81350	5905	279- 1750	18-4	2	XB3	
RC20BF241J	81350	5905	279- 2593	33-1	1	XB3	
RC20BF273K	81350	5905	279- 3499	12-1	9	XB3	
RC20BF333J	81350	5905	171- 1998	9-13	3	XB3	
RC20BF334J	81350	5905	279- 2519	32-24	1	XB3	
RC20BF335K	81350	5905	279- 1883	32-7	1	XB3	
RC20BF391J	81350	5905	279- 1890	32-32	1	XB3	
RC20BF473K	81350	5905	254- 9201	5-15	4	XB3	
RC20BF474K	81350	5905	279- 2515	32-17	2	XB3	
RC20BF510J	81350	5905	279- 3517	12-3	4	XB3	
RC20BF511J	81350	5905	279- 3511	9-10	3	XB3	
RC20BF681K	81350	5905	195- 6791	32-20	1	XB3	
RC20BF682K	81350	5905	279- 3503	9-12	1	XB3	

Section III
Numerical Index

T.O. 31R2-4-101-4

MFR PART NO	MFR FEDERAL CODE	FEDERAL STOCK NO.		FIG. & INDEX NO.	QTY PER ART	SMR CODE	EQUIP SPARES
		FSC	FIIN				
RC20BF823J	81350	5905	279- 3494	32-27	3	XB3	
RC30BF203J	81350	5905	299- 2021	36-2	1	XB3	
RC30BF222K	81350	5905	279- 1723	34-6	1	XB3	
RC30BF361J	81350	5905	279- 2546	32-16	1	XB3	
RW32G252	81349	5905	100- 6302	37-1	1	XB3	
SP-4P	28520	5340		32-11	1		
T-2-5	72488	5940		5-31	5		
				5-37			
				32-50			
				32-59			
				32-85			
T-8-6	72488	5940		32-53	1		
TSE7T101	81350	5935	260- 0516	9-21	14	XB3	
				32-93			
				32-94			
TS102C01	81350	5935	232- 3758	9-20	1	XB3	
TS102U01	81350	5960	262- 0015	3-5	3	XB3	
TS102U02	81350	5960	553- 4069	3-3	11	XB3	
TS102U03	81350	5960	272- 9092	3-6	1	XB3	
TS103U02	81350	5960	296- 3651	3-4	1	XB3	
UG-102/U	80058	5935	149- 4018	3-1	1	XB3	
UG-103/U	80058	5935	500- 8580	9-22	1	XB3	
UG-104/U	80058	5935	149- 3128	3-2	1	XB3	
WA510	76665	5340	282- 4974	5-22	5	XB3	
				29-30			
WA512	76665	5340		4-8	9		
				4-14			
				4-20			
				4-27			
				4-38			
				29-22			
				29-35			
10002-16	80583	5330		5-	6		
10002-4	80583	5330		4-45	8		
10002-62	80583	5330		7-29	4		
10003-6	80583	5305		29-15	1		
10010-19	80583	5307		7-19	2		
10010-35	80583	5307		32-104	1		
10027-13	80583	3110		29-17	2		
				29-32			
10049-2	80583	5310		8-19	2		
103	79963	5940	195- 9695	6-4	1	XB3	
1060	71785	5935	549- 1235	32-	10	XB3	
11726-109	80583	5910	546- 9199	5-40	1	XB3	
11776-1	80583	5910	546- 9200	40-10	1	XB3	
1220-2	78189	5310	186- 7356	3-57	5	XB3	
				4-31			
				32-			
124	79963	5940	156- 7159	32-114	1	XB3	
1369	74956	5950		32-14	1		
139	79963	5340	186- 3977	8-49	2	XB3	
1520	71785	5940	177- 9863	5-36	1	XB3	
1561-1	80583	5310		4-9	4		
				4-15			
				4-21			
				4-28			
15611-1	80583	5950	646- 0584	9-15	1	XB3	
15612-1	80583	5950	387- 0480	9-16	3	XB3	
				36-3			
15613-1	80583	5950	399- 7575	9-17	2	XB2	
				41-1			
15615-2	80583	5950	648- 5552	39-7	1	XB3	
15616-1	80583	5950	648- 5559	34-5	1	XB3	
15617-1	80583	5950	648- 5553	5-11	1	XB3	
15627-1	80583	5950	648- 4592	9-18	1	XB3	
15856-1	80583	5930	642- 9354	33-5	1	XB3	
15862-1	80583	5930	334- 3690	31-1	1	XB3	
16136-2	80583	5960		5-	1		
16140-2	80583	5960	249- 4930	32-	1	XB3	
16141-2	80583	5960		32-	1		
19578-3	80583	5340		4-36	1		
19578-4	80583	5340		4-32	1		
19580-1	80583	5315		4-35	1		
2	80130	5960	273- 2434	5-34	2	XB3	
				32-72			
2029	71296	5325	281- 2118	32-88	2	XB3	
2102-4	78189	5940		32-48	2		
				40-9			
2104-6	78189	5940	156- 7344	7-32	20	XB3	
				8-26			
				10-5			
				32-38			
				32-40			

MFR PART NO	MFR FEDERAL CODE	FEDERAL STOCK NO.		FIG. & INDEX NO.	QTY PER ART	SMR CODE	EQUIP SPARES
		FSC	FIIN				
2109-10-01	78189	5940	518- 6862	32-43			
2116-06	78189	5940		32-51			
2423	74887	5940		32-54			
				32-66			
				32-86			
				32-91			
				38-6			
				32-113	1		XB3
				32-92	1		
				5-32	3		
				32-49			
				32-57			
25	80130	5960	355- 9449	5-35	1		XB3
2666	71296	5325	489- 3083	5-39	1		XB3
31002-1	80583	5340		30-7	7		
31003-1	80583	5820	327- 5274	8-47	48		XB3
31004-1	80583	5340	355- 9533	11-	48		XB3
				12-			
				13-			
				14-			
				15-			
				16-			
				17-			
				18-			
				19-			
				20-			
				21-			
				22-			
				23-			
				24-			
				25-			
				26-			
				27-			
				28-			
31017-1	80583	5340		40-13	4		
				41-10			
31017-2	80583	5340		42-11	4		
31019-1	80583	5950	547- 8323	32-78	3		XB3
31021-1	80583	5950	646- 4226	40-7	3		XB3
				42-6			
				41-7	1		
31022-1	80583	5940		32-80	5		XB3
31023-1	80583	5820	351- 3843	42-9	2		XB3
31026-1	80583	5950	646- 3486	39-12	1		
31027-1	80583	5940		39-14	1		
31028-2	80583	5340		32-110	1		XB2
31029-2	80583	5950	646- 0501	6-1	1		XB3
31030-2	80583	5950	648- 3233	6-9	1		XB3
31031-2	80583	5950	648- 3232	29-41	1		XB3
31036-1	80583	5820	289- 7464	29-40	1		XB3
31037-1	80583	5820	289- 7465	29-34	2		NB3
31039-1	80583	5820	342- 2882	29-18	1		XB3
31047-1	80583	5820	675- 8759	29-8	1		
31050-1	80583	5820		29-23	1		
31051-1	80583	5820		29-12	1		XB3
31052-1	80583	5820	510- 4579	29-24	3		XB3
31059-1	80583	5820	675- 8760	29-44	1		XB3
31063-1	80583	5820	696- 2005	29-21	1		
31064-1	80583	5820		30-9	3		
31065-1	80583	5820		30-8	3		
31065-2	80583	5820		30-6	1		
31066-1	80583	5820		42-10	4		XB3
31067-1	80583	5950	518- 2775	40-12	1		
31068-1	80583	5950		10-9	1		XB3
31069-1	80583	5950	504- 8961	39-10	1		
31070-3	80583	5950		39-13	1		XB3
31071-1	80583	5950	553- 4182	39-9	1		
31076-2	80583	5820		30-12	1		
31077-1	80583	5820		30-10	1		
31078-1	80583	5310		30-1	1		
31078-2	80583	5310		31-13	1		
31080-1	80583	5950		7-17	2		
31083-1	80583	5310		29-52	1		
31085-1	80583	5340		32-99	1		XB2
31086-2	80583	5950	646- 2788	9-3	24		XB3
31089-1	80583	5930	351- 3844	39-15	1		XB3
31091-1	80583	5820	518- 8625	39-11	1		XB3
31091-2	80583	5820	518- 8624	40-6	7		
31092-1	80583	6605	518- 9016	41-6			
				41-11			
				42-8			
				42-12			
31094-1	80583	5820		40-14	1		

Section III
Numerical Index

T.O. 31R2-4-101-4

MFR PART NO	MFR FEDERAL CODE	FEDERAL STOCK NO.		FIG. & INDEX NO.	QTY PER ART	SMR CODE	EQUIP SPARES
		FSC	FIIN				
31095-1	80583	5820	510- 4580	29-26	1	XB3	
31096-1	80583	5820	288- 5850	29-28	1	NB3	
31097-1	80583	5820	288- 5852	29-29	1	NB3	
31098-1	80583	5820	355- 8996	29-27	1	XB3	
31101-1	80583	5950	518- 3405	42-	2	XB3	
31102-2	80583	5950	647- 7636	32-84	2	XB2	
31103-1	80583	5950	648- 6951	10-8	1	XB3	
31104-4	80583	5820	561- 4336	39-	1	XB3	
31105-1	80583	5950	547- 8324	32-60	1	XB3	
31106-4	80583	5820	253- 6756	32-81	1	XB3	
31110-1	80583	5950	553- 4200	41-9	1	XB3	
31113-1	80583	5820	505- 2576	40-	1	XB2	
31114-1	80583	5820	505- 2579	32-82	1	XB3	
31116-2	80583	5950	648- 5891	32-83	1	XB3	
31117-1	80583			31-11	3		
31119-1	80583			8-16	1		
31124-1	80583			36-6	1		
31125-1	80583	5340	200- 6333	29-38	1	XB3	
31126-1	80583	5820	320- 8290	29-2	1	XB3	
31128-1	80583			8-27	1		
31129-1	80583			8-17	1		
31131-1	80583	5820	505- 2776	32-64	1	XB3	
31132-1	80583	5950	504- 8914	32-77	1	XB3	
31133-1	80583	5950	646- 4224	32-76	1	XB3	
31135-4	80583			32-125	1		
31137-1	80583	5820	627- 5698	29-48	1	XD2	
31139-1	80583			7-42	1		
31140-1	80583			32-65	1		
31141-1	80583	5940	242- 7945	32-41	1	XB3	
31142-1	80583			7-41	5		
				31-10			
				32-119			
31143-1	80583			7-24	6		
				7-40			
31144-1	80583			31-8	1		
31145-1	80583			2-1	1		
31146-1	80583			7-38	1		
31146-2	80583			7-37	1		
31150-1	80583	5820	511- 4314	29-31	1	XB3	
31151-1	80583			32-56	1		
31155-1	80583			8-11	1		
31162-1	80583	5820	518- 6399	37-9	1	XB3	
31163-1	80583	5940	242- 7944	34-7	2	XB3	
				35-9			
31164-1	80583	5820	692- 7720	29-14	1	XB3	
31166-1	80583	5820	329- 0542	29-54	1	NB2	
31169-1	80583	5820	327- 5216	29-13	1	XB3	
31170-1	80583	5820	355- 9399	29-37	1	XB3	
31173-1	80583	5820	327- 5181	29-11	1	XB3	
31177-1	80583	5820	327- 5257	29-7	1	NB3	
31179-1	80583			10-10	2		
31181-1	80583			10-7	1		
31182-1	80583			10-11	1		
31183-1	80583	5950	647- 7866	8-23	1	XB3	
31185-1	80583			7-11	1		
31186-1	80583	5355	255- 6034	7-8	1	XB3	
31189-1	80583			29-5	4		
31192-1	80583			30-3	1		
31198-1	80583	5820	696- 2006	29-39	1	XB3	
31199-1	80583	5355	668- 5983	7-1	2	XB3	
31201-1	80583	5820	327- 5180	29-1	1	XB3	
31202-1	80583	5820	696- 1994	29-3	1	XB3	
31203-1	80583			9-4	4		
31204-1	80583			30-5	1		
31205-1	80583	5820	547- 3817	29-6	2	XB3	
31209-1	80583	5950	553- 4179	41-8	1	XB3	
31215-1	80583	5355	667- 7495	3-20	2	XB3	
31216-1	80583			32-9	1		
31217-1	80583			32-55	1		
31219-3	80583	5820	503- 1180	4-50	1	XB3	
31227-1	80583	5355	668- 6965	3-22	1	XB3	
31227-2	80583	5355	668- 6966	3-21	1	XB3	
31227-3	80583	5355	668- 6967	3-18	1	XB3	
31227-4	80583	5355	668- 6989	3-23	1	XB3	
31227-5	80583	5355	668- 6988	3-19	1	XB3	
31231-1	80583	5820	505- 2386	8-9	1	ND2	
31233-1	80583	5820		9-	1		
31234-1	80583	5820	696- 1993	9-	4	XB3	
31238-1	80583	5820		3-28	1		
31239-1	80583	5820	327- 5278	29-51	3	XB3	
31241-1	80583	5820		39-8	1		
31242-1	80583	5950		40-11	1		
31244-1	80583	5950	518- 1925	13-4	1	XB3	

MFR PART NO	MFR FEDERAL CODE	FEDERAL STOCK NO.		FIG. & INDEX NO.	QTY PER ART	SMR CODE	EQUIP SPARES
		FSC	FIIN				
31245-1	80583	5950	503- 2801	11-3	1	XB3	
31246-1	80583	5950	268- 8987	12-5	2	XB3	
31248-1	80583	5950	518- 1939	16-3	1	XB3	
31249-1	80583	5950	518- 1938	14-3	1	XB3	
31250-1	80583	5950	518- 1940	15-5	2	XB3	
31251-1	80583	5950	518- 1941	19-4	1	XB3	
31252-1	80583	5950	518- 1942	17-4	1	XB3	
31253-1	80583	5950	518- 1932	18-6	2	XB3	
31254-1	80583	5950	648- 3582	22-5	1	XB3	
31255-1	80583	5950	518- 1936	20-4	1	XB3	
31256-1	80583	5950	518- 1944	21-6	2	XB3	
31257-1	80583	5950	648- 5556	25-5	1	XB3	
31258-1	80583	5950	503- 2801	23-4	1	XB3	
31259-1	80583	5950	645- 2804	24-3	2	XB3	
31260-1	80583	5950	646- 2956	28-4	1	XB3	
31261-1	80583	5950	503- 2802	26-4	1	XB3	
31262-1	80583	5950	518- 1951	27-3	2	XB3	
31275-1	80583	5975	289- 7064	5-	1	XB3	
31276-1	80583	5820	302- 3784	7-4	2	XB3	
31277-1	80583	5310	596- 0723	29-47	1	XB3	
31278-1	80583	5820	342- 9418	31-4	1	XB3	
31279-1	80583	5820	320- 8288	29-50	3	XB3	
31280-1	80583	5950		7-20	1		
31281-1	80583	5355	518- 0910	4-40	2		
31282-1	80583	5355	668- 4515	4-46	1		
31283-1	80583	5820	327- 5214	4-42	2	XB3	
31285-1	80583	5950		29-56	1		
31286-1	80583	5820		6-11	1		
31287-1	80583	5820	355- 0910	29-	1		
31288-1	80583	5820	511- 4315	29-	1	XB3	
31290-1	80583	5340		7-18	2		
31291-1	80583	5820	696- 2001	8-50	1	XD2	
31376-1	80583	5820	332- 4992	8-18	1	XB3	
31378-1	80583	5950	547- 8325	8-21	1	XB3	
31385-1	80583	5820	253- 6747	8-31	1	XB3	
31386-1	80583	5950	647- 9363	8-30	2		
31387-1	80583	5820	355- 8997	8-29	1	XD2	
31388-1	80583	5950	648- 0495	8-34	1	XB3	
31389-1	80583	5950	648- 0379	8-33	2	XB3	
31390-1	80583	5950	648- 0496	8-32	1	XB3	
31391-1	80583	5950	648- 0385	8-37	1	XB3	
31392-1	80583	5950	648- 0386	8-36	2	XB3	
31393-1	80583	5950	648- 0382	8-35	1	XB3	
31394-1	80583	5950	645- 2928	8-40	1	XB3	
31395-1	80583	5950	645- 2927	8-39	2	XB3	
31396-1	80583	5820	568- 0246	8-38	1		
31397-1	80583	5820	248- 9130	8-43	1		
31398-1	80583	5950	647- 9193	8-42	2	XB3	
31399-1	80583	5950	647- 9194	8-41	1	XB3	
31403-1	80583	5820	247- 5419	8-46	1	XB3	
31404-1	80583	5820	505- 1479	8-45	2	XB3	
31405-1	80583	5950	647- 9485	8-44	1	XB3	
31409-1	80583	5820		3-46	1		
31410-1	80583	5820		5-44	1		
31411-1	80583	5820		5-3	1		
31412-1	80583	5820		5-33	1		
31413-1	80583	5305	638- 6327	5-21	1	XB3	
31414-1	80583	5820	696- 2008	5-24	1	XB3	
31415-1	80583	5820	509- 1023	5-19	1	XB3	
31416-1	80583	5820	521- 5745	5-23	1	XB3	
31417-1	80583	5820	509- 1021	5-17	6	XB3	
31418-1	80583	5820	662- 9483	5-27	4	XB3	
31419-1	80583	5340		5-8	3		
31419-2	80583	5820	675- 8758	5-7	1		
31420-1	80583	5820		32-117	1		
31421-1	80583	5340		32-105	4		
				32-108			
31422-1	80583	5307	515- 8092	32-115	1	XB3	
31423-1	80583	5820	392- 6107	3-43	1	XB3	
31424-1	80583	5307	208- 0438	32-103	2	XB3	
				32-106			
31425-1	80583	5820	338- 6301	32-100	1	XB3	
31426-1	80583	5340		32-97	1		
31427-1	80583	5820	505- 2574	11-4	4	XB3	
				14-4			
				17-5			
				20-5			
31428-1	80583	5820	505- 2575	12-6	14	XB3	
				13-5			
				15-6			
				18-7			
				19-5			
				21-7			

Section III
Numerical Index

T.O. 31R2-4-101-4

MFR PART NO	MFR FEDERAL CODE	FEDERAL STOCK NO.		FIG. & INDEX NO.	QTY PER ART	SMR CODE	EQUIP SPARES
		FSC	FIIN				
31429-1	80583	5820	505- 2573	24-4 27-4 23-5 26-5	2	XB3	
31430-1	80583	5820	505- 2572	16-4 22-6 25-6 28-5	4	XB3	
31431-1	80583	5820	505- 3588	4-	1	XB3	
31431-2	80583	5820	505- 3587	4-	1	XB3	
31431-3	80583	5820	505- 3436	4-	1	XB3	
31432-1	80583	5820	561- 4333	4-	1	XB3	
31433-1	80583	5820	696- 2004	3-37	1	XB3	
31434-1	80583	5355	284- 5179	3-25	2		
31435-1	80583	5820	696- 1996	3-40	1	XB3	
31436-1	80583	5820	696- 1995	3-49	1	XB3	
31437-1	80583	5307	546- 5716	3-35	1		
31438-1	80583	5820	675- 8769	7-14	1		
31439-1	80583	5820	675- 8766	7-15	1		
31442-1	80583	5820		4-26	1		
31443-1	80583	5820		4-29	1		
31444-1	80583	5820		4-7 4-13 4-19 4-22	3		
31445-1	80583	5820		4-16	1		
31445-2	80583	5820	696- 2010	4-10	1	XB3	
31445-3	80583	5820		3-42	1	XB3	
31446-1	80583	5820	675- 8757	3-52	1		
31447-1	80583	5915		3-7	2	XB3	
31449-1	80583	5960	351- 4812	3-55 8-6 3-			
31452-1	80583	5820		4-1	1	XB3	
31453-1	80583	6240		4-39	1		
31454-1	80583	5940	665- 8783	4-37	1		
31458-1	80583	5340		4-	1	XB3	
31459-1	80583	3010		3-24	1	XB3	
31460-1	80583	5820	505- 3435	4-48	1	XB3	
31462-1	80583	5355	537- 3665	3-38	2	XB3	
31463-1	80583	5820	030- 3078	32-63	1		
31470-1	80583	5305	521- 6078	2-3	1		
31472-1	80583	5340		32-42	1	XB3	
31476-1	80583	5820	675- 8761	5-42	1		
31480-1	80583	5820	503- 7849	6-8	2	XB3	
31483-1	80583	5820		6-6	2		
31484-1	80583	5910	355- 8631	32-121	1	XB3	
31485-1	80583	5340	334- 3465	32-124	1	XB3	
31492-1	80583	5820	392- 6065	3-56	1	XB3	
31493-1	80583	5820	392- 6066	32-73	1	XB3	
31495-1	80583	5305	638- 8434	8-5	1	XB3	
32	80130	5940	237- 4017	2-5	1		
33	71002	5940	204- 5693	3-60	1		
33901-3	80583	5820		7-44	1		
33903-3	80583	5820		4-4	1		
33906-1	80583	5820		3-48	1	XB3	
33908-1	80583	5310		38-7	2		
33924-1	80583	5930	548- 7457	38-8	1		
33926-1	80583	5910		32-68	1		
33928-1	80583	5305		33-4	1		
33929-1	80583	5820		8-13	1	XB2	
33994-1	80583	5820		3-54	10		
34001-1	80583	5910	256- 9128	4-33	1	XB3	
350-2	80112	5340		5-6	1		
3502-10-1	78189	5310	596- 4926	32-74	1	XB3	
3901-2				32-37	1	XB3	
4	80130	5960	249- 5009	32-122	4	XB3	
402AC	01009	5935	259- 0796	3-33	1	XB3	
4099	71400	5940	283- 7169	3-32	3	XB3	
415-2	80583	5975	289- 7070	32-75	1	XB3	
415-3	80583	5975	289- 7069	5-10	1	XB3	
42	80130	5960	249- 5009	5-13	1	XB3	
4540	76493	5950	188- 6450	3-16	4	XB3	
4541	76493	5950	234- 9991	4-2	1	XB3	
47	24455	6240	155- 8706	32-90	1	XB3	
4903-2	80583	6625	328- 9928	3-34	1	XB3	
53F12875	71785	5935	160- 1365	8-48	4	XB3	
6039-1	80583	5820	613- 9158	32-87	4	XB3	
78	79963	5340	193- 3644	32-95			
79	79963	5340	243- 5161	3-17	4	XB3	
81	01009	6250	504- 0231	32-3	1	XB3	
81057NA	04009	5930	296- 9667	32-1	2	XB3	
8280	15605	5930	229- 3381	32-6	1		
8360	15605	5930					

MFR PART NO	MFR FEDERAL CODE	FEDERAL STOCK NO.		FIG. & INDEX NO.	QTY PER ART	SMR CODE	EQUIP SPARES
		FSC	FIIN				
8363	15605	5930	504- 6878	32-8	1	XB3	
9226-11	80583	5340		32-52	1		
9226-13	80583	5340		7-6	4		
9748-1	72825	5935	501- 8361	5-30	6		
9859	71785	5935	501- 6893	5-38	3	XB3	
				32-89			

**SECTION IV
REFERENCE DESIGNATION INDEX**

REFERENCE DESIGNATOR	FIG. & INDEX NO.	FEDERAL STOCK NO.		MFR PART NO.	MFR FEDERAL CODE	SMR CODE	EQUIP SPARES
		FSC	FIIN				
C1	8-13	5910	256- 9128	34001-1	80583	XB2	
C100	38-4	5910	648- 9573	NO NUMBER	91418	XB3	
C102	8-25	5910	648- 9573	NO NUMBER	91418	XB3	
C103	36-4	5910	648- 9573	NO NUMBER	91418	XB3	
C104	36-4	5910	648- 9573	NO NUMBER	91418	XB3	
C105	32-19	5910	648- 9573	NO NUMBER	91418	XB3	
C106	32-19	5910	648- 9573	NO NUMBER	91418	XB3	
C107	40-2	5910	643- 9191	CM15C221G	81349	XB3	
C108	32-19	5910	648- 9523	NO NUMBER	91418	XB3	
C10	20-5	5820	505- 2574	31427-1	80583	XB3	
C109	32-19	5910	648- 9573	NO NUMBER	91418	XB3	
C11	20-1	5910	161- 6289	CM30C152G	81349	XB3	
C110	40-3	5910	636- 2153	CM15C101G	81349	XB3	
C111	40-10	5910	546- 9200	11776-1	80583	XB3	
C112	40-3	5910	636- 2153	CM15C101G	81349	XB3	
C113	40-3	5910	636- 2153	CM15C101G	81349	XB3	
C114	40-4	5910	648- 8064	CM15C271G	81349	XB3	
C115	37-4	5910	648- 9573	NO NUMBER	91418	XB3	
C116	32-19	5910	648- 9573	NO NUMBER	91418	XB3	
C117	42-5	5910	643- 9191	CM15C221G	91418	XB3	
C118	42-3	5910	648- 9573	NO NUMBER	91418	XB3	
C119	42-1	5910	666- 7881	CM15C301G	81349	XB3	
C12	23-2	5910	270- 3036	CC20CJ070F	81349	XB3	
C120	42-2	5910	667- 9950	CM30C132G	81349	XB3	
C121	37-4	5910	648- 9573	NO NUMBER	91418	XB3	
C122	32-19	5910	648- 9573	NO NUMBER	91418	XB3	
C123	42-3	5910	648- 9573	NO NUMBER	91418	XB3	
C124	42-5	5910	643- 9191	CM15C221G	81349	XB3	
C125	42-1	5910	666- 7881	CM15C301G	81349	XB3	
C126	42-2	5910	667- 9950	CM30C132G	81349	XB3	
C127	37-4	5910	648- 9573	NO NUMBER	91418	XB3	
C128	32-39	5910	112- 7845	CE63D100H	81349	XB3	
C129	7-33	5910	649- 2276	CP53B6EF503V	81349	XB3	
C13	23-5	5820	505- 2573	31429-1	80583	XB3	
C130	39-2	5910	270- 9112	CC21UJ270J	81349	XB3	
C131	39-3	5910	191- 1844	CM20C431G	81349	XB3	
C132	39-1	5910	190- 7589	CM30C242J	81349	XB3	
C133	39-3	5910	191- 1844	CM20C431G	81349	XB3	
C134	39-4	5910	101- 4886	CM15C510G	81349	XB3	
C135	32-19	5910	648- 7573	NO NUMBER	91418	XB3	
C136	32-19	5910	648- 7573	NO NUMBER	91418	XB3	
C137	32-36	5910	655- 0536	CP28A1EC254M	81349	XB3	
C138	32-21	5910	654- 5788	CC21UJ510J	81349	XB3	
C139	32-21	5910	654- 5788	CC21UJ510J	81349	XB3	
C14	23-1	5910	101- 4018	CM30C102G	81349	XB3	
C140	34-2	5910	191- 1844	CM20C431G	81349	XB3	
C141	35-5	5910	644- 0561	CC26SL101K	81349	XB3	
C142	35-5	5910	644- 0561	CC26SL101K	81349	XB3	
C143	35-8	5910		CM15A512J	81349	XB3	
C144	32-35	5910	617- 3902	CP28A1EC503M	81349	XB3	
C145	32-25	5910	112- 7762	CC20HJ150J	81349	XB3	
C146	32-19	5910	648- 7573	NO NUMBER	91418	XB3	
C147	32-15	5910	668- 2099	CM35A512J	81349	XB3	
C148	35-6	5910	648- 3902	NO NUMBER	91418	XB3	
C149	32-15	5910	668- 2099	CM35A512J	81349	XB3	
C15	26-2	5910	112- 7762	CC20HJ150J	81349	XB3	
C150	32-28	5910	242- 6068	NO NUMBER	00656	XB3	
C151	32-39	5910	112- 7845	CE63D100H	81349	XB3	
C152	32-12	5910	725- 8771	CM30C103J	81349	XB3	
C153	9-5	5910	648- 7573	NO NUMBER	91418	XB3	

REFERENCE DESIGNATOR	FIG. & INDEX NO.	FEDERAL STOCK NO.		MFR PART NO.	MFR FEDERAL CODE	SMR CODE	EQUIP SPARES
		FSC	FIIN				
C154	9-5	5910	648- 7573	NO NUMBER	91418	XB3	
C155	9-5	5910	648- 7573	NO NUMBER	91418	XB3	
C156	32-19	5910	648- 7573	NO NUMBER	91418	XB3	
C157	41-2	5910	648- 7573	NO NUMBER	91418	XB3	
C158	32-39	5910	112- 7845	CE63D100H	81349	XB3	
C159	32-39	5910	112- 7845	CE63D100H	81349	XB3	
C16	26-5	5820	505- 2573	31429-1	80583	XB3	
C160	32-39	5910	112- 7845	CE63D100H	81349	XB3	
C161	6-5	5910	160- 2399	CE33D200R	81349	XB3	
C162	32-19	5910	648- 9573	NO NUMBER	91418	XB3	
C163	38-5	5910	280- 6673	CP27A2EF254K	81349	XB3	
C164	34-2	5910	191- 1844	CM20C431G	81349	XB3	
C165	9-5	5910	648- 9573	NO NUMBER	91418	XB3	
C166	9-5	5910	648- 9573	NO NUMBER	91418	XB3	
C167	37-4	5910	648- 9573	NO NUMBER	91418	XB3	
C168	32-12	5910	725- 8771	CM30C103J	81349	XB3	
C169	32-12	5910	725- 8771	CM30C103J	81349	XB3	
C17	26-1	5910	161- 6289	CM30C152G	81349	XB3	
C18	9-6	5910	636- 2153	CM15C101G	81349	XB3	
C19	9-5	5910	648- 9573	NO NUMBER	91418	XB3	
C2	11-4	5820	505- 2574	31427-1	80583	XB3	
C20	9-5	5910	648- 9573	NO NUMBER	91418	XB3	
C21	9-5	5910	648- 9573	NO NUMBER	91418	XB3	
C22	9-5	5910	648- 9573	NO NUMBER	91418	XB3	
C23	9-5	5910	648- 9573	NO NUMBER	91418	XB3	
C24	9-5	5910	648- 9573	NO NUMBER	91418	XB3	
C25	9-6	5910	636- 2153	CM15C101G	81349	XB3	
C26	12-6	5820	505- 2575	31428-1	80583	XB3	
C27	12-2	5910	648- 9573	NO NUMBER	91418	XB3	
C28	15-6	5820	505- 2575	31428-1	80583	XB3	
C29	15-2	5910	648- 9573	NO NUMBER	91418	XB3	
C3	11-1	5910	648- 9573	NO NUMBER	91418	XB3	
C30	18-3	5910	643- 9154	CM15C200J	81349	XB3	
C31	18-7	5820	505- 2575	31428-1	80583	XB3	
C32	18-2	5910	190- 7589	CM30C242J	81349	XB3	
C33	21-3	5910	636- 2099	CM15C330J	81349	XB3	
C34	21-7	5820	505- 2575	31428-1	80583	XB3	
C35	21-2	5910	161- 6289	CM30C152G	81349	XB3	
C36	24-4	5910	505- 2575	31428-1	80583	XB3	
C37	24-1	5910	636- 2153	CM15C101G	81349	XB3	
C38	27-4	5820	505- 9573	31428-1	80583	XB3	
C39	27-1	5910	636- 2154	CM15C510G	81349	XB3	
C4	14-4	5820	505- 2574	31427-1	80583	XB3	
C40	9-5	5910	648- 9573	NO NUMBER	91418	XB3	
C41	9-5	5910	648- 9573	NO NUMBER	91418	XB3	
C42	9-5	5910	648- 9573	NO NUMBER	91418	XB3	
C43	9-5	5910	648- 9573	NO NUMBER	91418	XB3	
C44	9-5	5910	648- 9573	NO NUMBER	91418	XB3	
C46	12-6	5820	505- 2575	31428-1	80583	XB3	
C47	12-2	5910	648- 9573	NO NUMBER	91418	XB3	
C48	15-6	5910	505- 2575	31428-1	80583	XB3	
C49	15-2	5910	648- 2575	NO NUMBER	80583	XB3	
C5	14-1	5910	648- 9573	NO NUMBER	91418	XB3	
C50	18-3	5910	643- 9154	CM15C200J	81349	XB3	
C51	18-7	5820	505- 2575	31428-1	80583	XB3	
C52	18-2	5910	190- 7589	CM30C242J	81349	XB3	
C53	21-3	5910	636- 2099	CM15C330J	81349	XB3	
C54	21-7	5820	505- 2575	31428-1	80583	XB3	
C55	21-2	5910	161- 6289	CM30C152G	81349	XB3	
C56	24-4	5820	505- 2575	31428-1	80583	XB3	
C57	24-1	5910	636- 2153	CM15C101G	81349	XB3	
C58	27-4	5820	505- 2575	31428-1	80583	XB3	
C59	27-1	5910	636- 2154	CM15C510G	81349	XB3	
C6	17-2	5910	643- 9154	CM15C200J	81349	XB3	
C60	5-2	5910	644- 6338	CC21UJ120J	81349	XB3	
C61	5-14	5910	648- 9573	NO NUMBER	91418	XB3	
C62	5-16	5910	726- 0907	CM30E222J	81349	XB3	
C63	5-12	5910	636- 2099	CM15C390J	81349	XB3	
C64	5-14	5910	648- 9573	NO NUMBER	91418	XB3	
C65	5-40	5910	546- 9199	11726-109	80583	XB3	
C66	9-5	5910	648- 9573	NO NUMBER	91418	XB3	
C67	10-1	5910	648- 9573	NO NUMBER	91418	XB3	
C68	9-5	5910	648- 9573	NO NUMBER	91418	XB3	
C69	10-2	5910	643- 9191	CM15C221G	81349	XB3	
C7	17-5	5820	505- 2574	31427-1	80583	XB3	
C70	10-4	5910	648- 9573	NO NUMBER	91418	XB3	
C71	9-5	5910	648- 9573	NO NUMBER	91418	XB3	
C72	9-5	5910	648- 9573	NO NUMBER	91418	XB3	
C73	9-5	5910	648- 9573	NO NUMBER	91418	XB3	
C74	9-5	5910	648- 9573	NO NUMBER	91418	XB3	
C75	9-6	5910	636- 2153	CM15C101G	81349	XB3	
C76	13-5	5910	505- 2575	31428-1	80583	XB3	
C77	13-1	5910	171- 3231	CM30C332G	81349	XB3	

Section IV
Reference Designation Index

T.O. 31R2-4-101-4

REFERENCE DESIGNATOR	FIG. & INDEX NO.	FEDERAL STOCK NO.		MFR PART NO.	MFR FEDERAL CODE	SMR CODE	EQUIP SPARES
		FSC	FIIN				
C78	13-2	5910	648- 9573	NO NUMBER	91418	XB3	
C79	9-2	5910	195- 7820	CC21UJ050C	81349	XB3	
C8	17-1	5910	190- 7589	CM30C242J	81349	XB3	
C80	9-2	5910	195- 7820	CC21UJ050C	81349	XB3	
C81	16-4	5910	505- 2572	31430-1	80853	XB3	
C82	16-1	5910	648- 9573	NO NUMBER	91418	XB3	
C83	19-2	5910	648- 8623	CM15B100K	81349	XB3	
C84	19-5	5820	505- 2575	31428-1	80583	XB3	
C85	19-1	5910	668- 3194	CM30C122G	81349	XB3	
C86	22-6	5910	505- 2572	31430-1	80853	XB3	
C87	22-1	5910	539- 7776	CM15C121G	81349	XB3	
C88	22-2	5910	644- 6338	CC21UJ120J	81349	XB3	
C89	22-3	5910		NO NUMBER	04062		
C9	20-2	5910	636- 2099	CM15C330J	81349	XB3	
C90	25-6	5910	505- 2572	31430-1	80853	XB3	
C91	25-1	5910	636- 2153	CM20C101G	81349	XB3	
C92	25-2	5910	669- 2957	CC21UJ510F	81349	XB3	
C93	25-3	5910		NO NUMBER	04062		
C94	28-5	5910	505- 2572	31430-1	80853	XB3	
C95	28-1	5910	636- 2154	CM20C510G	81349	XB3	
C96	28-2	5910		CM20C611G	81349		
C97	41-5	5910		NO NUMBER	00656		
C98	41-2	5910	648- 9573	NO NUMBER	91418	XB3	
C99	41-4	5910	636- 2154	CM15C510G	81349	XB3	
E10	32-50	5940		T-2-5	72488		
E11	5-37	5940		T-2-5	72488		
E12	5-31	5940		T-2-5	72488		
E13	38-8	5305		33928-1	80583		
E14	32-53	5940		T-8-6	72488		
E15	35-9	5940	242- 7944	31163-1	80583	XB3	
E16	34-7	5940	242- 7944	31163-1	80583	XB3	
E17	37-9	5940	518- 6399	31162-1	80583	XB3	
E18	4-1	5940	665- 8783	31454-1	80583	XB3	
F2	32-41	5940	242- 7945	31141-1	80583	XB3	
F3	32-42	5820	503- 7849	31480-1	80583	XB3	
F4	32-57	5940		2423	74887		
F5	32-49	5940		2423	74887		
F6	32-85	5940		T-2-5	72488		
F7	5-36	5940	177- 9863	1520	71785	XB3	
F8	5-32	5940		2423	80583		
F9	32-59	5940		T-2-5	72488		
F1	3-59	5920	131- 9819	MDL 1-6/10	71400	XB3	
F2	3-58	5920	280- 8628	AGC 3/8	71400	XB3	
I1	3-16	6240	155- 8706	47	24455	XB3	
I2	3-16	6240	155- 8706	47	24455	XB3	
I3	3-16	6240	155- 8706	47	24455	XB3	
I4	3-16	6240	155- 8706	47	24455	XB3	
J1	9-22	5935	500- 8580	UG-103/U	80058	XB3	
J2	32-47	5935	259- 0148	NO NUMBER	80063	XB3	
J3	32-2	5935	194- 3082	JJ-034	81350	XB3	
J5	32-37	5935	259- 0796	402AC	01009	XB3	
L1	11-3	5935	503- 2801	31245-1	80583	XB3	
L10	18-6	5950	518- 1932	31253-1	80583	XB3	
L11	21-6	5950	518- 1944	31256-1	80583	XB3	
L12	24-3	5950	645- 2804	31259-1	80583	XB3	
L13	27-3	5950	518- 1951	31262-1	80583	XB3	
L14	9-16	5950	387- 0480	15612-1	80583	XB3	
L15	12-5	5950	268- 8987	31246-1	80583	XB3	
L16	15-5	5950	518- 1940	31250-1	80583	XB3	
L17	18-6	5950	518- 1932	31253-1	80583	XB3	
L18	21-6	5950	518- 1944	31256-1	80583	XB3	
L19	24-3	5950	645- 2804	31259-1	80583	XB3	
L2	14-3	5935	518- 1938	31249-1	80583	XB3	
L20	27-3	5950	518- 1951	31262-1	80583	XB3	
L21	5-11	5950	648- 5553	15617-1	80583	XB3	
L22	5-10	5950	188- 6450	4540	76493	XB3	
L23	5-13	5950	234- 9991	4541	76493	XB3	
L24	9-18	5950	648- 4592	15627-1	80583	XB3	
L25	13-4	5950	518- 1925	31244-1	80583	XB3	
L26	16-3	5950	518- 1939	31248-1	80583	XB3	
L27	19-4	5950	518- 1941	31251-1	80583	XB3	
L28	22-5	5950	648- 3582	31254-1	80583	XB3	
L29	25-5	5950	648- 5556	31257-1	80583	XB3	
L3	17-4	5935	518- 1942	31252-1	80583	XB3	
L30	28-4	5950	646- 2956	31260-1	80583	XB3	
L31	10-8	5950	648- 6951	31103-1	80583	XB3	
L32	10-9	5950	504- 8961	31069-1	80583	XB3	
L33	41-9	5950	553- 4200	31110-1	80583	XB3	
L34	41-8	5950	553- 4179	31209-1	80583	XB3	
L35	36-3	5950	387- 0480	15612-1	80583	XB3	
L36	40-11	5950		31242-1	80583		
L37	40-12	5950		31068-1	80583		
L38	42-10	5950	518- 2775	31067-1	80583	XB3	

REFERENCE DESIGNATOR	FIG. & INDEX NO.	FEDERAL STOCK NO.		MFR PART NO.	MFR FEDERAL CODE	SMR CODE	EQUIP SPARES
		FSC	FIIN				
L39	42-10	5950	518- 2775	31067-1	80853	XB3	
L4	20-4	5935	518- 1936	31255-1	80583	XB3	
L40	42-9	5950	646- 3486	31026-1	80853	XB3	
L41	42-10	5950	518- 2775	31067-1	80853	XB3	
L42	42-10	5950	518- 2775	31067-1	80853	XB3	
L43	42-9	5950	646- 3486	31026-1	80853	XB3	
L44	39-13	5950	553- 4182	31071-1	80853	XB3	
L45	39-10	5950		31070-3	80853		
L46	39-7	5950	648- 5552	15615-2	80853	XB3	
L47	34-5	5950	648- 5559	15616-1	80853	XB3	
L48	9-15	5950	646- 0584	15611-1	80853	XB3	
L49	9-17	5950	399- 7575	15613-1	80853	XB3	
L5	23-4	5935	503- 2801	31258-1	80583	XB3	
L50	41-1	5950	399- 7575	15613-1	80853	XB3	
L51	6-1	5950	648- 3233	31030-2	80853	XB3	
L52	6-9	5950	648- 3232	31031-2	80853	XB3	
L53	32-14	5950		1369	74956		
L6	26-4	5935	503- 2802	31261-1	80583	XB3	
L7	9-16	5950	387- 0480	15612-1	80583	XB3	
L8	12-5	5950	268- 8987	31246-1	80583	XB3	
L9	15-5	5950	518- 1940	31250-1	80583	XB3	
M1	4-2	6625	328- 9928	4903-2	80583	XB3	
P1	32-10	5995		NO NUMBER	70903		
P2	3-1	5935	149- 4018	UG-102/U	80058	XB3	
P3	3-2	5935	149- 3128	UG-104/U	80058	XB3	
R1	9-14	5905	500- 7517	NO NUMBER	80583		
R10	21-4	5950	279- 3519	RC20BF220K	81350	XB3	
R100	34-3	5905	279- 6761	RC20BF104K	81350	XB3	
R101	32-44	5905		NO NUMBER	01121		
R103	12-1	5905	279- 3499	RC20BF273K	81350	XB3	
R104	12-1	5905	279- 3499	RC20BF273K	81350	XB3	
R105	15-1	5905	279- 3499	RC20BF273K	81350	XB3	
R106	15-1	5905	279- 3499	RC20BF273K	81350	XB3	
R107	18-1	5905	279- 3499	RC20BF273K	81350	XB3	
R108	18-1	5905	279- 3499	RC20BF273K	81350	XB3	
R109	21-1	5905	279- 3499	RC20BF273K	81350	XB3	
R11	9-1	5950	279- 3519	RC20BF220K	31350	XB3	
R110	21-1	5905	279- 3499	RC20BF273K	81350	XB3	
R111	34-3	5905	195- 6761	RC20BF104K	81350	XB3	
R112	32-32	5905	279- 1890	RC20BF391J	81350	XB3	
R113	32-24	5905	279- 2519	RC20BF334J	81350	XB3	
R114	9-7	5905	195- 6806	RC20BF102K	81350	XB3	
R115	38-2	5905	279- 1754	RC20BF155K	81350	XB3	
R116	38-2	5905	279- 1754	RC20BF155K	81350	XB3	
R12	9-8	5950	185- 8510	RC20BF103J	81350	XB3	
R13	9-14	5905	500- 7517	NO NUMBER	80583	XB3	
R14	9-13	5905	171- 1998	RC20BF333J	81350	XB3	
R15	9-10	5905	279- 3511	RC20BF511J	81350	XB3	
P16	9-7	5905	195- 6806	RC20BF102K	81350	XB3	
R17	12-3	5905	279- 3517	RC20BF510J	81350	XB3	
R18	15-3	5905	279- 3517	RC20BF510J	81350	XB3	
R19	18-4	5905	279- 1750	RC20BF240J	81350	XB3	
R2	9-8	5905	185- 8510	RC20BF103J	81350	XB3	
R20	21-4	5905	279- 3519	RC20BF220K	81350	XB3	
R21	9-1	5905	279- 3519	RC20BF220K	81350	XB3	
R22	9-9	5905	279- 9201	RC20BF473K	81350	XB3	
R23	5-15	5905	279- 9201	RC20BF473K	81350	XB3	
R24	5-9	5905	279- 3514	RC20BF181K	81350	XB3	
R25	5-9	5905	279- 3514	RC20BF181K	81350	XB3	
R26	9-14	5905	500- 7517	NO NUMBER	80583	XB3	
R27	9-11	5905	299- 1541	RC20BF151J	81350	XB3	
R28	9-12	5905	279- 3503	RC20BF682K	81350	XB3	
R29	9-7	5905	195- 6806	RC20BF102K	81350	XB3	
R3	9-13	5905	171- 1998	RC20BF333J	81350	XB3	
R30	9-7	5905	195- 6806	RC20BF102K	81350	XB3	
R31	10-3	5905	279- 1876	RC20BF222K	81350	XB3	
R32	37-3	5905	279- 3511	RC20BF511J	81350	XB3	
R33	32-33	5905	279- 1757	RC20BF152K	81350	XB3	
R35	41-3	5905	195- 6761	RC20BF104K	81350	XB3	
R36	32-31	5905	171- 2004	RC20BF223J	81350	XB3	
R37	32-30	5905	279- 1876	RC20BF222K	81350	XB3	
R38	36-5	5905	195- 6761	RC20BF104K	81350	XB3	
R39	37-2	5905	171- 1998	RC20BF333J	81350	XB3	
R4	9-7	5905	195- 6806	RC20BF102K	81350	XB3	
R40	36-2	5905	299- 2021	RC30BF203J	81350	XB3	
R41	40-5	5905	279- 1723	RC20BF222K	81350	XB3	
R42	32-23	5905	190- 8883	RC20BF100K	81350	XB3	
R43	37-6	5905	195- 6761	RC20BF104K	81350	XB3	
R44	37-5	5905	185- 8510	RC20BF103J	81350	XB3	
R45	33-1	5905	279- 2593	RC20BF241J	81350	XB3	
R46	33-2	5905	279- 3508	RC20BF112J	81350	XB3	
R47	33-3	5905	279- 3500	RC20BF183K	81350	XB3	
R48	38-1	5905	279- 2513	RC20BF105K	81350	XB3	

Section IV
Reference Designation Index

T.O. 31R24-101-4

REFERENCE DESIGNATOR	FIG. & INDEX NO.	FEDERAL STOCK NO.		MFR PART NO.	MFR FEDERAL CODE	SMR CODE	EQUIP SPARES
		FSC	FIIN				
R49	42-4	5905	279- 1876	RC20BF222K	81350	XB3	
R5	9-10	5905	279- 3511	RC20BF511J	81350	XB3	
R50	32-23	5905	190- 8883	RC20BF100K	81350	XB3	
R51	37-6	5905	195- 6761	RC20BF104K	81350	XB3	
R52	37-5	5905	185- 8510	RC20BF103J	81350	XB3	
R53	37-5	5905	185- 8510	RC20BF103J	81350	XB3	
R54	42-4	5905	279- 1876	RC20BF222K	81350	XB3	
R55	32-23	5905	190- 8883	RC20BF100K	81350	XB3	
R56	37-6	5905	195- 6761	RC20BF104K	81350	XB3	
R57	37-5	5905	185- 8510	RC20BF103J	81350	XB3	
R58	34-1	5905	279- 1876	RC20BF222K	81350	XB3	
R59	34-6	5905	279- 1876	RC30BF222K	81350	XB3	
R6	9-7	5905	195- 6806	RC20BF102K	81350	XB3	
R60	34-4	5905	279- 2513	RC20BF105K	81350	XB3	
R61	32-22	5905	279- 2513	RC20BF105K	81350	XB3	
R62	35-1	5905	195- 6761	RC20BF104K	81350	XB3	
R63	35-4	5905	279- 3499	RC20BF273K	81350	XB3	
R64	35-3	5905	254- 9201	RC20BF473K	81350	XB3	
R65	35-2	5905	171- 2004	RC20BF223J	81350	XB3	
R66	32-29	5905	279- 3500	RC20BF183K	81350	XB3	
R67	35-1	5905	195- 6761	RC20BF104K	81350	XB3	
R68	35-1	5905	195- 6761	RC20BF104K	81350	XB3	
R69	32-45	5905		NO NUMBER			
R7	12-3	5905	279- 3517	RC20BF510J	81350	XB3	
P70	32-13	5905	185- 8510	RC20BF103J	81350	XB3	
K72	7-25	5905	173- 7968	NO NUMBER	83877	XB3	
R73	7-26	5905	549- 6722	NO NUMBER	83877	XB3	
R74	32-46	5905	192- 2510	RA20A1SA102AK	81350	XB3	
R75	32-34	5905	195- 6761	RC20BF104K	81350	XB3	
R76	39-6	5905	195- 6761	RC20BF104K	81350	XB3	
R77	39-5	5905	254- 9201	RC20BF473K	81350	XB3	
R78	32-17	5905	279- 2515	RC20BF474K	81350	XB3	
R79	32-20	5905	279- 2515	RC20BF681K	81350	XB3	
R8	15-3	5905	279- 3517	RC20BF510J	81350	XB3	
R80	34-1	5905	279- 1723	RC20BF222K	81350	XB3	
R81	35-1	5905	195- 6761	RC20BF104K	81350	XB3	
R82	35-7	5905	185- 8510	RC20BF103J	81350	XB3	
R83	32-18	5905	195- 6806	RC20BF102K	81350	XB3	
R84	32-4	5905		NO NUMBER	01121		
R85	37-1	5905	100- 6302	RW32G252	81349	XB3	
R86	32-27	5905	279- 3494	RC20BF823J	81350	XB3	
R87	32-26	5905	192- 3981	RC20BF124J	81350	XB3	
R88	32-26	5905	192- 3981	RC20BF124J	81350	XB3	
R89	32-27	5905	279- 3494	RC20BF823J	81350	XB3	
R9	18-4	5950	279- 1750	RC20BF240J	81350	XB3	
R90	32-13	5905	185- 8510	RC20BF103J	81350	XB3	
R91	32-13	5905	185- 8510	RC20BF103J	81350	XB3	
R92	32-13	5905	185- 8510	RC20BF103J	81350	XB3	
R93	32-5	5905		NO NUMBER	01121		
R94	38-3	5905	279- 3508	RC20BF112J	81350	XB3	
R95	37-8	5905	279- 3494	RC20BF823J	81350	XB3	
R96	37-7	5905	171- 2004	RC20BF223J	81350	XB3	
R97	32-7	5905	279- 1883	RC20BF335K	81350	XB3	
R98	32-17	5905	279- 2515	RC20BF474K	81350	XB3	
R99	32-16	5905	279- 2546	RC30BF361J	81350	XB3	
S10	32-5	5905		NO NUMBER	01121		
S11	32-3	5930	296- 9667	81057NA	04009	XB3	
S1A, B, C, D	9-	5820	696- 1993	31234-1	80583	XB3	
S2	5-41	5930	334- 3699	NO NUMBER	37942	XB3	
S3	3-51	5930	548- 9038	NO NUMBER	76854	XB3	
S4	31-1	5930	334- 3690	15862-1	80583	XB3	
S5A, B, C	33-5	5930	642- 9354	15856-1	80583	XB3	
S6	32-1	5930	229- 3381	8280	15605	XB3	
S7	32-6	5930		8360	15605		
S8	32-8	5930	504- 6878	8363	15605	XB3	
S9	32-1	5930	229- 9354	8280	15605	XB3	
T1	8-23	5950	647- 7866	31183-1	80583	XB3	
T10	8-29	5820	355- 8977	31387-1	80583	XB3	
T11	8-32	5820	648- 0496	31390-1	80583	XB3	
T12	8-35	5950	648- 0382	31393-1	80583	XB3	
T13	8-38	5820	568- 0246	31396-1	80583	XB3	
T14	8-41	5950	647- 9194	31399-1	80583	XB3	
T15	8-44	5950	647- 9485	31405-1	80583	XB3	
T16	8-30	5950	647- 9363	31386-1	80583	XB3	
T17	8-33	5950	648- 0379	31389-1	80583	XB3	
T18	8-36	5950	648- 0386	31392-1	80583	XB3	
T19	8-39	5950	645- 2927	31395-1	80583	XB3	
T2	32-83	5950	648- 5891	31116-2	80583	XB3	
T20	8-42	5950	647- 9193	31398-1	80583	XB3	
T21	8-45	5820	505- 1479	31404-1	80583	XB3	
T22	8-30	5950	647- 9363	31386-1	80583	XB3	
T23	8-33	5950	648- 0379	31389-1	80583	XB3	
T24	8-36	5950	648- 0386	31392-1	80583	XB3	

REFERENCE DESIGNATOR	FIG. & INDEX NO.	FEDERAL STOCK NO.		MFR PART NO.	MFR FEDERAL CODE	SMR CODE	EQUIP SPARES
		FSC	FIIN				
T25	8-39	5950	645- 2927	31395-1	80583	XB3	
T26	8-42	5950	647- 9193	31398-1	80583	XB3	
T27	8-45	5820	505- 1479	31404-1	80583	XB3	
T28	8-31	5820	253- 6747	31385-1	80583	XB3	
T29	8-34	5950	648- 0495	31388-1	80583	XB3	
T3	32-82	5820	505- 2579	31114-1	80583	XB3	
T30	8-37	5950	648- 0385	31391-1	80583	XB3	
T31	8-40	5950	645- 2928	31394-1	80583	XB3	
T32	8-43	5950	248- 9130	31397-1	80583	XB3	
T33	8-46	5820	247- 5419	31403-1	80583	XB3	
T34	3-45	5820		31409-1	80583		
T4	32-84	5950	647- 7636	31102-2	80583	XB3	
T5	32-84	5950	647- 7636	31102-2	80583	XB3	
T6	32-81	5820	253- 6756	31106-4	80583	XB3	
T7	32-99	5950	646- 2788	31086-2	80583	XB3	
T8	32-110	5950	646- 0501	31029-2	80583	XB3	
V1	3-8	5960	262- 0185	JAN5749/6BA6W	81349	XB3	
V10	3-8	5960	262- 0185	JAN5749/6BA6W	81349	XB3	
V11	3-8	5960	262- 0185	JAN5749/6BA6W	81349	XB3	
V12	3-8	5960	262- 0185	JAN5749/6BA6W	81349	XB3	
V13	3-14	5960	166- 7666	JAN6C4	81349	XB3	
V14	3-10	5960	262- 0185	JAN5726/6AL5W/6097	81349	XB3	
V15	3-10	5960	262- 0185	JAN5726/6AL5W/6097	81349	XB3	
V16	3-9	5960	636- 2218	JAN12AU7	81349	XB3	
V17	3-12	5960	116- 9927	JAN6V6GT	81349	XB3	
V18	3-11	5960	557- 6926	JAN0A2	81349	XB3	
V19	3-13	5960	188- 3945	JAN5R4GY	81349	XB3	
V2	3-8	5960	264- 2089	JAN5749/6BA6W	81349	XB3	
V20	3-10	5960	262- 0185	JAN5726/6AL5W/6097	81349	XB3	
V3	5-1	5960	166- 7666	JAN6AC7	81349	XB3	
V4	3-14	5960	248- 3085	JAN6C4	81349	XB3	
V5	3-15	5960	264- 3002	JAN6BE6	81349	XB3	
V6	3-15	5960	264- 3002	JAN6BE6	81349	XB3	
V7	3-8	5960	262- 0185	JAN5749/6BA6W	81349	XB3	
V8	3-14	5960	166- 7666	JAN6C4	81349	XB3	
V9	3-8	5960	262- 0185	JAN5749/6BA6W	81349	XB3	
X1	9-21	5935	260- 0516	TSE7T101	81349	XB3	
X10	32-93	5935	260- 0516	TSE7T101	81350	XB3	
X11	32-93	5935	260- 0516	TSE7T101	81350	XB3	
X12	32-93	5935	260- 0516	TSE7T101	81350	XB3	
X13	32-93	5935	260- 0516	TSE7T101	81350	XB3	
X14	32-93	5935	260- 0516	TSE7T101	81350	XB3	
X15	32-93	5935	260- 0516	TSE7T101	81350	XB3	
X16	32-90	5935	160- 1365	53F12875	71785	XB3	
X17	32-89	5935	501- 6893	9859	71785	XB3	
X18	32-93	5935	260- 0516	TSE7T101	81350	XB3	
X19	32-89	5935	501- 6893	9859	71785	XB3	
X2	9-21	5935	260- 0516	TSE7T101	81349	XB3	
X20	32-93	5935	260- 0516	TSE7T101	81350	XB3	
X21	5-30	5935	501- 8361	9748-1	72825	XB3	
X22	5-30	5935	501- 8361	9748-1	72825	XB3	
X23	5-30	5935	501- 8361	9748-1	72825	XB3	
X24	5-30	5935	501- 8361	9748-1	72825	XB3	
X25	5-30	5935	501- 8361	9748-1	72825	XB3	
X26	5-30	5935	501- 8361	9748-1	72825	XB3	
X3	5-38	5935	501- 6893	9859	71785	XB3	
X4	9-19	5935		NO NUMBER	72825		
X5	9-20	5935	232- 3758	TS102C01	81350	XB3	
X6	32-94	5935	260- 0516	TSE7T101	81350	XB3	
X7	32-93	5935	260- 0516	TSE7T101	81350	XB3	
X8	32-94	5935	260- 0516	TSE7T101	81350	XB3	
X9	32-93	5935	260- 0516	TSE7T101	81350	XB3	
Y7	36-1	5955		NO NUMBER	71034		
Y8	40-1	5955	667- 4617	NO NUMBER	71034	XB3	